

Ref. : V 6140.pas

Rev. : Initial

Date : 18/12/2014

Page : 1/1

# THREADED TYPE GATE VALVE

## V 6140



**Tecofi**  
VALVE DESIGNER - FRANCE

### APPLICATION

General use: common fluids.

### GENERAL CHARACTERISTICS

Full bore.  
Rotating non rising inside screw stem.  
Screwed bonnet and single wedge valve.  
Female / Female BSP cylindrical.  
PTFE packing.

### CONSTRUCTION

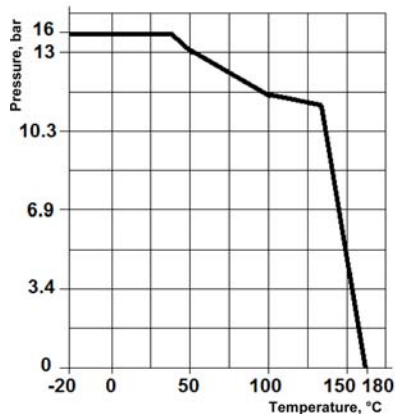
Pos.	Q-ty	Description	Material
11	1	Nut	Stainless steel 304
10	1	Washer	Stainless steel 304
9	1	Handwheel	Zamak
8	1	Packing nut	Stainless steel 316
7	1	Gland follower	Stainless steel 304
6	1	Packing	PTFE
5	1	Bonnet	Stainless steel ASTM A351 CF8M
4	1	Stem	Stainless steel 316
3	1	Body gasket	PTFE
2	2	Wedge	Stainless steel ASTM A351 CF8M
1	1	Body	Stainless steel ASTM A351 CF8M

### DIMENSIONS

DN		L	Ø V	H	Ø P	Weight (kg)
mm	inch					
15	½"	55	70	92	15	0.440
20	¾"	60.5	70	97	20	0.570
25	1"	65.5	80	108.5	25	0.740
32	1¼"	76.5	80	123.5	32	1.120
40	1½"	85.5	90	146	40	1.550
50	2"	95.5	100	162	50	2.250

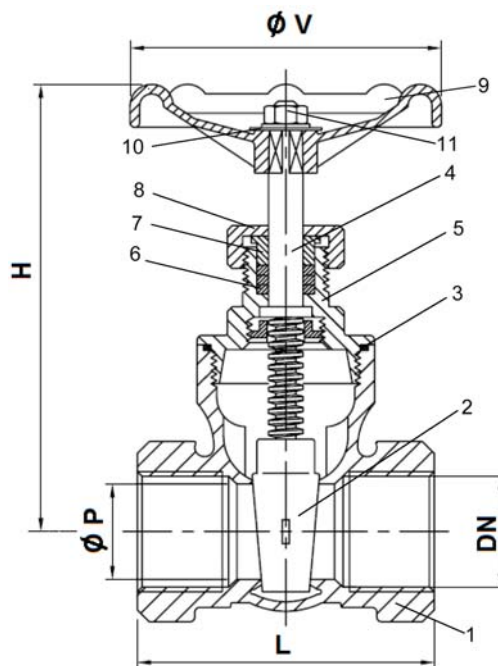
### WORKING CONDITIONS

Maximum working pressure : 16 bar  
Maximum temperature : -20°C / +180°C.

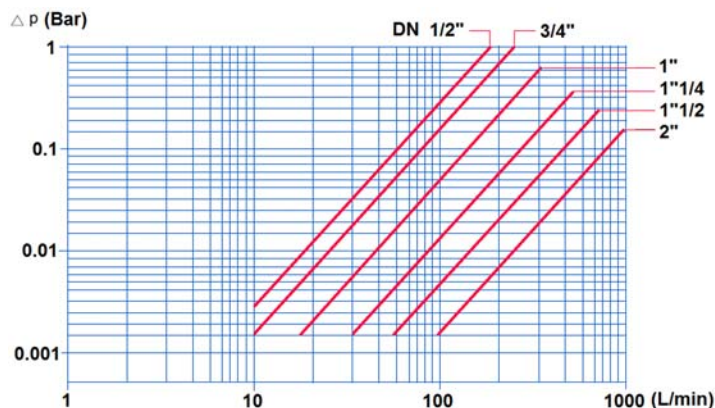


### STANDARDS

Fabrication according to ISO 9001 :2008  
Threaded female / female BSP cylindrical according to ISO 228/1



### HEAD LOSSES DIAGRAMS



**TECOFI France** - 83, Rue Marcel Mérieux 69960 Corbas - FRANCE  
Tél. +33 (0) 4 72 79 05 79 - Fax +33 (0) 4 78 90 19 19 / +33 (0) 4 72 79 05 70  
Adresses e-mail : sales@tecofi.fr ; tecofi@tecofi.fr / Site web : [www.tecofi.fr](http://www.tecofi.fr)