

Ref. : V5241

Rev. : Initial

Date : 21/01/2015

Page : 1/1

FLANGED CARBON STEEL GATE VALVE WITH BOLTED BONNET 300LBS

V5241

ISO 9001
BUREAU VERITAS
Certification



ERAC



Tecofi
VALVE DESIGNER - FRANCE

APPLICATION

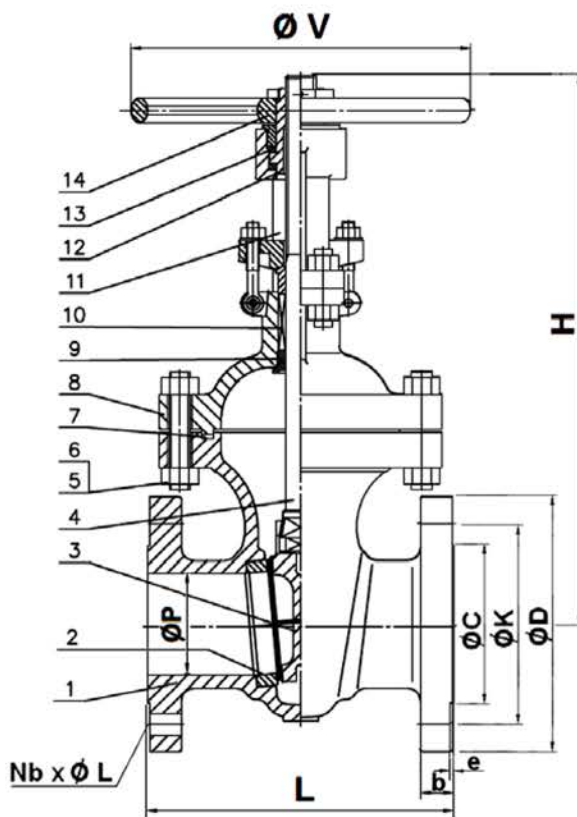
General use: Water distribution, gas oil, steam, petrochemical, petroleum industry, gas.

GENERAL CHARACTERISTICS

Full bore
Rising, non-rotating stem
Fixed non rising handwheel
Flexible one piece wedge
Flanges R.F. ISO PN50 ANSI 300
Carbon steel body
Bolted bonnet and gland pack
½ stellite (Trim 8 , seat with stellite)
Grey painting RAL 7001 color, 60 µm thickness

CONSTRUCTION

| 14 | Handwheel | Cast iron |
|------|---------------|---------------------------------|
| 13 | Ring | Steel E51100 |
| 12 | Stem nut | Aluminium + Bronze |
| 11 | Yoke | Steel ASTM A216 WCB |
| 10 | Packing | Flexible graphite |
| 9 | Seal bushing | ASTM A276-420 |
| 8 | Bonnet | Steel ASTM A216 WCB |
| 7 | Bonnet gasket | Stainless steel 304 + graphite |
| 6 | Nut | ASTM A194 Gr 2H |
| 5 | Tie rod | ASTM A193 Gr B7 |
| 4 | Stem | ASTM A182 F6a |
| 3 | Wedge | Steel ASTM A216 WCB + 13Cr |
| 2 | Seat | Steel ASTM A105 + Stellite Gr.6 |
| 1 | Body | Steel ASTM A216 WCB |
| Pos. | Description | Material |



DIMENSIONS

| DN | | L | H (opened) | H (closed) | $\varnothing V$ | $\varnothing P$ | $\varnothing C$ | $\varnothing K$ | $\varnothing D$ | Nb x $\varnothing L$ | e | b | Weight (kg) |
|-----|------|-----|------------|------------|-----------------|-----------------|-----------------|-----------------|-----------------|----------------------|---|------|-------------|
| mm | inch | | | | | | | | | | | | |
| 50 | 2" | 216 | 304 | 254 | 240 | 51 | 92.1 | 127 | 165 | 8x19 | 2 | 22.7 | 23 |
| 80 | 3" | 283 | 521 | 445 | 280 | 76 | 127 | 168.3 | 210 | 8x22 | 2 | 29 | 48 |
| 100 | 4" | 305 | 606 | 504 | 300 | 102 | 157.2 | 200 | 255 | 8x22 | 2 | 32.2 | 72 |
| 150 | 5" | 403 | 795 | 643 | 400 | 152 | 215.9 | 269.9 | 320 | 12x22 | 2 | 37 | 130 |
| 200 | 8" | 419 | 987 | 784 | 400 | 203 | 269.9 | 320.2 | 380 | 12x26 | 2 | 41.7 | 195 |
| 250 | 10" | 457 | 1228 | 974 | 500 | 254 | 323.8 | 387.4 | 445 | 16x29 | 2 | 48.1 | 308 |
| 300 | 12" | 502 | 1418 | 1113 | 500 | 305 | 381 | 450.8 | 520 | 16x32 | 2 | 51.3 | 430 |
| 350 | 14" | 762 | 1574 | 1214 | 600 | 334 | 412.8 | 514.4 | 585 | 20x32 | 2 | 54.4 | 650 |

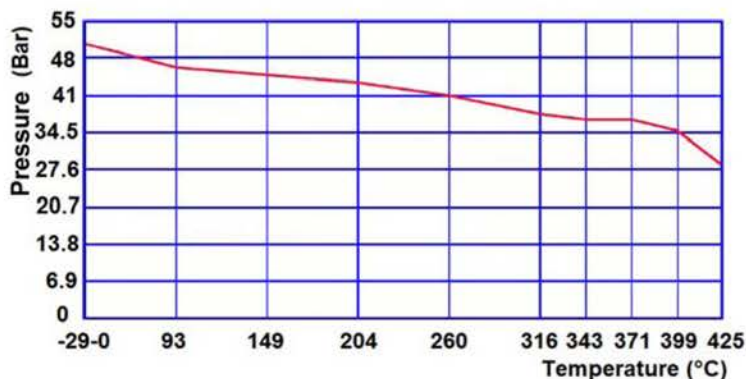
WORKING CONDITIONS

Maximum working pressure : 50 bar.
Maximum working temperature : -29°C/+425°C.

STANDARDS

Fabrication according to ISO 9001 : 2008
DIRECTIVE 2014/68/UE
Risk category III H
Designing according to API 600
Tests according to API 598
Face to face according to ASME B16.10, table 2 A10 series
Flanges R.F. according to ASME B16.05
ATEX Group II Category 2 G/2D Zone 1 & 21 Zone 2 & 22
Approval certificate Russian GOST-R

PRESSURE / TEMPERATURE GRAPH



TECOFI France - 83, Rue Marcel Mérieux 69960 Corbas - FRANCE
Tél. +33 (0) 4 72 79 05 79 - Fax +33 (0) 4 78 90 19 19 / +33 (0) 4 72 79 05 70
Adresses e-mail : sales@tecofi.fr ; tecofi@tecofi.fr / Site web : www.tecofi.fr