

## METAL SEAT GATE VALVE

### TECHNICAL PASSPORT

#### NON RISING STEM METAL SEAT GATE VALVE

V 1142A

#### APPLICATION

Disconnection of flow in fluid transfer networks.

**Area of use:** Industrial installation, central heating, air conditioning, water transfer networks, water supply, irrigation, etc.



**Fluids:** water, drinking water, discharges.

#### GENERAL CHARACTERISTICS

**Range:** from DN 3/8" to DN 4".

Full bore.

Low pressure drop.

Metal/metal tightness

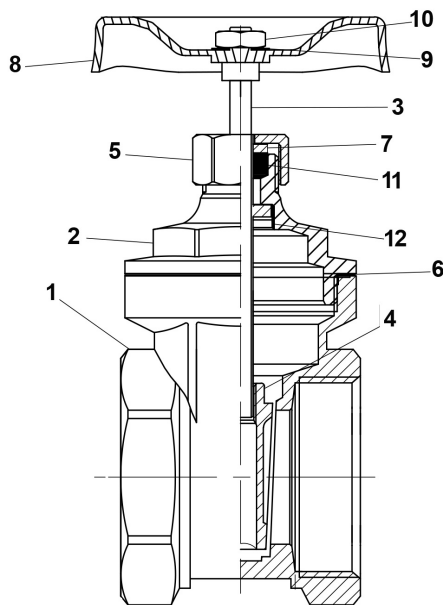
Connection female / female BSP according to ISO 228-1.

Operated by handwheel with non rising stem.



**ACS**

#### CONSTRUCTION



Pos.	Quantity	Description	Material
1	1	Body	Brass
2	1	Bonnet	Brass
3	1	Stem	Brass
4	1	Wedge	Brass
5	1	Pressing cap	Brass
6	1	Seal	PTFE
7	1	Sleeve	Brass
8	1	Handwheel	Iron sheet
9	1	Washer	Aluminium
10	1	Nut	Brass
11	1	Packing	PTFE
12	1	Lock nut	Brass

#### PRODUCT APPROVALS



**Tecofi France**

83 rue Marcel Mérieux - 69960 Corbas

Tél. +33 (0)4 72 79 05 79 - Fax. +33 (0)4 78 90 19 19

E-mail : sales@tecofi.fr - [www.tecofi.fr](http://www.tecofi.fr)

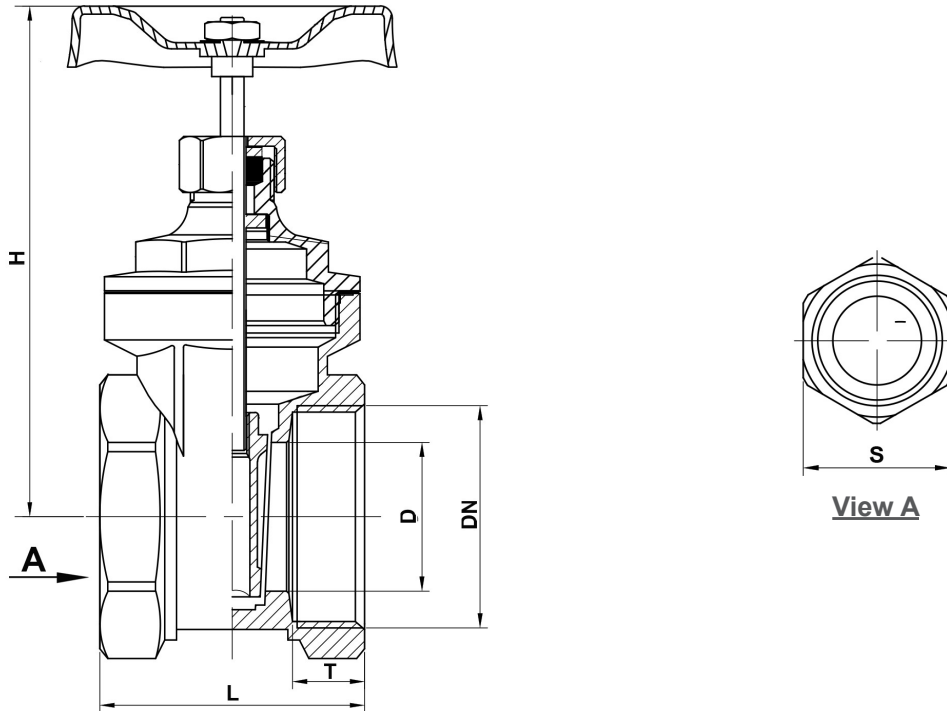


## METAL SEAT GATE VALVE

### TECHNICAL PASSPORT

V 1142A

#### DIMENSIONS



DN		L	Ø D	T	H	S	Weight (kg)
mm	inch						
10	3/8"	41	13	11	61	23	0.19
15	1/2"	43	15	12	66	25.5	0.22
20	3/4"	44	19	12	75	30.5	0.29
25	1"	48	24	13	83	37	0.37
32	1 1/4"	50	30	13	102	46.5	0.62
40	1 1/2"	54.5	37	14	115	52	0.73
50	2"	61	44	16.5	130	64.5	1.1
65	2 1/2"	62.5	60	12.5	169	81	1.95
80	3"	73	70	15.5	185	93	2.6
100	4"	78	87	18	235	119	4.6

#### WORKING CONDITIONS

Maximum working pressure : 16 bar  
 Maximum working temperature : -10°C / + 80°C

#### Tecofi France

83 rue Marcel Mérieux - 69960 Corbas  
 Tél. +33 (0)4 72 79 05 79 - Fax. +33 (0)4 78 90 19 19  
 E-mail : sales@tecofi.fr - [www.tecofi.fr](http://www.tecofi.fr)

