

UNIVERSAL COUPLING

TECHNICAL PASSPORT

DUCTILE IRON UNIVERSAL COUPLING

UNIONUNIA

APPLICATION

Universal couplings are used as a junction products between pipes or tubes of various material: steel, cast iron, PVC, etc.



Fluids : drinking water, clear water, compatible liquids.

GENERAL CHARACTERISTICS

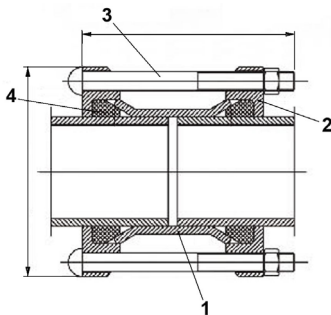
Range : from DN40 to DN600.
With brass grip ring
Stainless steel bolts and nuts.
Sealing guaranteed by compression of a gasket on the pipe when tightening a counter flange.



ACS

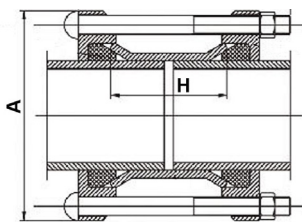
Epoxy coated body according to EN 14901
RAL 5015, 250 µm thickness

CONSTRUCTION



Pos.	Description	Material	Standard
1	Sleeve	Carbon steel	S235 / EN1563
2	End ring	Ductile iron GGG 50	EN 1563
3	Bolt and nut	Stainless steel AISI 304	1449-2 304 S15
4	Gasket	EPDM ACS	EN 681-1

DIMENSIONS



DN		Reference	Ø tube	A	H	Weight (kg)
mm	inch					
40	1"1/2	UNIONUNIA	48-60	150	98	2.4
50	2"	UNIONUNIA	59-72	156	98	2.5
65	2"1/2	UNIONUNIA	72-85	174	98	3.2
80	3"	UNIONUNIA	88-103	185	98	4
100	4"	UNIONUNIA	109-128	218	98	4.5
125	5"	UNIONUNIA	138-153	246	98	6.1
150	6"	UNIONUNIA	159-182	280	105	7
175	7"	UNIONUNIA	192-210	312	130	8
200	8"	UNIONUNIA	218-235	328	130	9.5
225	9"	UNIONUNIA	250-274	-	130	12
225	9"	UNIONUNIA	242-262	360	130	12
250	10"	UNIONUNIA	272-289	382	130	14
300	12"	UNIONUNIA	315-332	430	130	16
300	12"	UNIONUNIB	322-339	435	130	16
300	12"	UNIONUNIC	340-360	-	130	16
350	14"	UNIONUNIA	374-391	510	130	23
350	14"	UNIONUNIB	351-378	520	130	25
400	16"	UNIONUNIA	390-410	530	130	28
400	16"	UNIONUNIB	417-437	555	130	28
450	18"	UNIONUNIA	480-500	-	130	32
450	18"	UNIONUNIB	454-463	585	130	36
500	20"	UNIONUNIA	500-533	680	130	39
600	24"	UNIONUNIA	608-636	740	130	50

WORKING CONDITIONS

Maximum working pressure: 16 bar

HOMOLOGATION PRODUIT



ACS Health compliance certificate n° 21 ACC LY 832

Tecofi France

83 rue Marcel Mérieux - 69960 Corbas
Tél. +33 (0)4 72 79 05 79 - Fax. +33 (0)4 78 90 19 19
E-mail : sales@tecofi.fr - www.tecofi.fr

