

Ref. : TC 7101.pas

Rev. : C

Date : 08/07/2013

Page : 1/1

HEATING DIAL THERMOMETER Vertical bulb

TC 7101

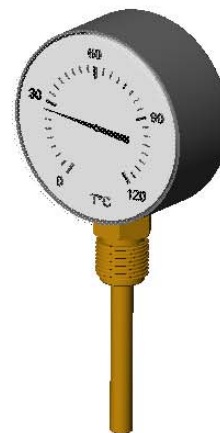


APPLICATION

- General use : central heating, plumbing.

GENERAL CHARACTERISTICS

- Diameter 40,50,63,80,100mm.
- Back bulb $\varnothing 40$: 3/8"G.
 $\varnothing 50, 63, 80, 100$: 1/2"G.
- Zinc plated steel casing.

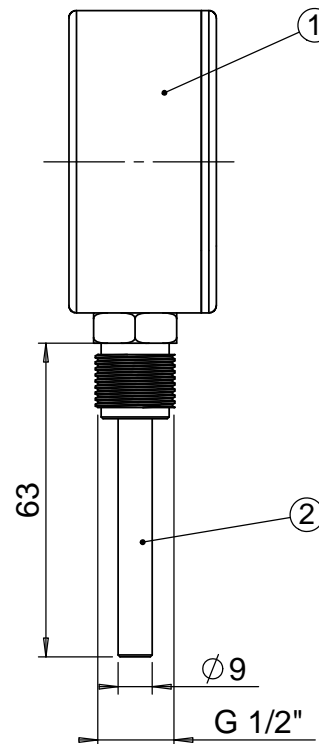
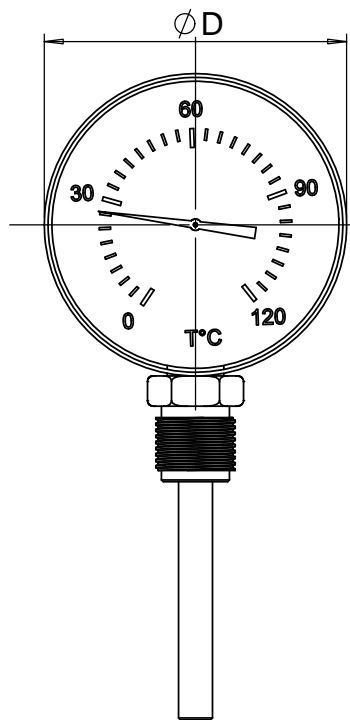


CONSTRUCTION

2	1	Back bulb	Brass	DIN: CuZn39Pb2 ASTM: C37700 BS: CZ121
1	1	Casing	Zinc plated steel	
Pos.	Qty.	Description	Material	

DIMENSIONS

$\varnothing D$	Bulb lenght L (mm)	Weight (kg)
63	63	0,12
100	63	0,17



WORKING CONDITIONS

PS : 6 bar

Scales : 0/+120°C

Others scales on request

Test procedures are established according to standard EN 12266-1, DIN 3230, BS 5154 et ISO 5208.

STANDARDS

BSP threaded according to standard ISO 228-1.