

Ref. : TC 7100.pas

Rev. : C

Date : 21/06/2012

Page : 1/1

HEATING DIAL THERMOMETER

TC 7100



Tecofi
VALVE DESIGNER - FRANCE

APPLICATION

- General use : centrale heating, plumbing.

GENERAL CHARACTERISTICS

- Diameter : 40,50,63,80,100 mm.
- Back bulb $\varnothing 40$: 3/8"G.
 $\varnothing 50,63,80,100$: 1/2"G.
- Aluminium casing.

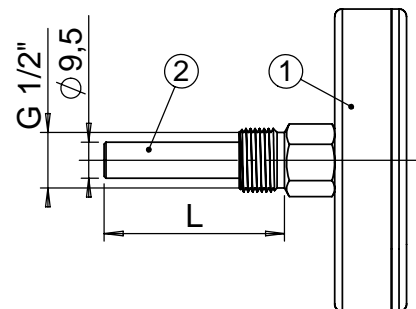
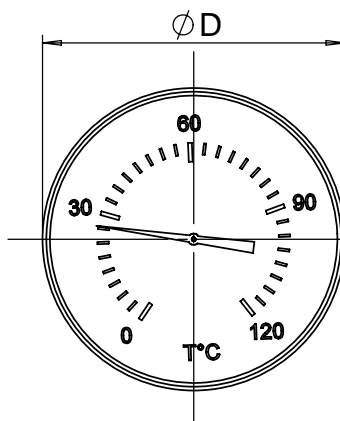


CONSTRUCTION

2	1	Back bulb	Brass	DIN: CuZn39Pb2 ASTM: C37700 BS: CZ121
1	1	Casing	Black ABS or aluminium	DIN: AlCuMg1 ASTM: 2017A
Pos.	Qty.	Description	Material	

DIMENSIONS

$\varnothing D$	Back bulb length L (mm)	
	Standard	On request
63	40	60
		100
80	40	60
		100
100	40 or 60	60
		100



WORKING CONDITIONS

PS max : 6 bar

Possible scales :

- 0 / +60°C;
- 0 / +120°C;
- 0 / +200°C;
- 30 / +50°C;
- 20 / +60°C.

Test procedures are established according to standard EN 12266-1, DIN 3230, BS 5154 et ISO 5208.

STANDARDS

BSP threaded according to standard ISO 228-1.