

Ref. : TB 1101.pas

Rev. : D

Date : 28/04/2014

Page : 1/1

INDUSTRIAL THERMOMETER STRAIGHT TYPE

TB 1101



Tecofi 
VALVE DESIGNER - FRANCE

APPLICATION

Temperature measure.
Knockdown type.

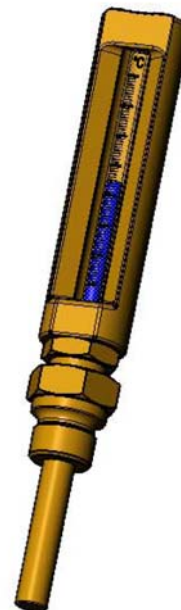
GENERAL CHARACTERISTICS

Temperature scales :

- -30/+50°C;
- -10/+50°C;
- 0/+60°C;
- 0/+100°C;
- 0/+120°C;
- 0/+160°C.

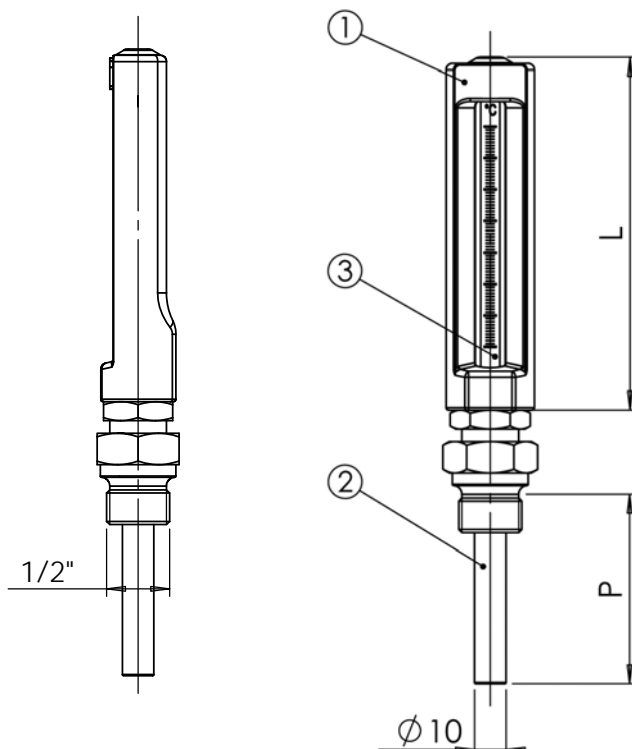
CONSTRUCTION

3	1	Tube	Glass
2	1	Connection + bulb	Brass
1	1	Casing	Aluminium
Pos.	Qty.	Description	Material



DIMENSIONS

TAILLE TYPE	P	L	Weight (kg)
PM (Small)	40	110	0,18
	63		0,24
MM (Medium)	63	150	0,19
	100		0,30
GM (Large)	63	200	0,30
	100		0,32



WORKING CONDITIONS

Maximum working pressure : 16bar.
Maximum temperature : +160°C.

STANDARDS

BSP male threaded according to standard ISO 228-1.