

Ref. : SR 5167.pas

Rev. : Initial

Date : 13/09/2016

Page : 1/1

# TOTAL LIFT SPRING SAFETY VALVE WITH CONTROL LEVER OF DISCHARGE

## SR 5167



### APPLICATION

Safety unit.  
Limitation of a fluid pressure to a precise value.

### GENERAL CHARACTERISTICS

Total lift springs safety valve with control lever of discharge.  
Adjustable  
Ductile iron body, stainless steel disc.  
Threaded connection BSP.

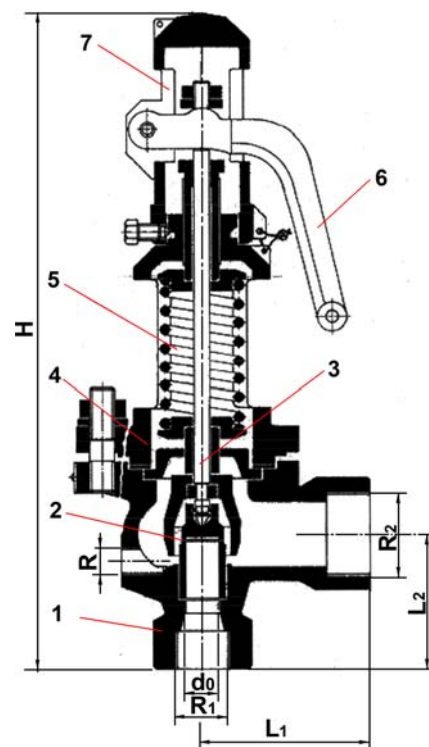
### CONSTRUCTION

7	Upper bonnet	Ductile iron	EN-5.3106
6	Discharge lever	Ductile iron	EN-JS1030
5	Spring	Steel	EN-10270-1-SH
4	Bonnet	Ductile iron	EN-JS1030
3	Stem	Stainless steel	EN 1.4028
2	Disc	Stainless steel	EN 1.4028
1	Body	Carbon steel	EN-1.0619+N
Pos.	Description	Material	



### DIMENSIONS

R1 x R2	H	d0	h1	L1	L2	R	Weight (kg)
3/4" x 1"1/4	320	16	112	80	65	1/4"	4,64
1" x 1"1/2	370	20	129	85	80	1/4"	5,88



### WORKING CONDITIONS

Maximum working temperature: -10°C / 450°C  
Maximum working pressure: 40 bar

Set pressure:  
Liquid: 0.2 à 40 bar  
Steam: 0.5 à 32 bar

### STANDARDS

Threaded connection BSP according to ISO 228/1.