

Ref. : SR 2142.pas

Rev. : E

Date : 29/06/2016

Page : 1/1

CANALIZED LEAKAGE SAFETY VALVE WITH LEVER

SR 2142



Tecofi
VALVE DESIGNER - FRANCE

APPLICATION

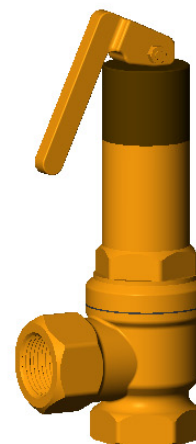
Safety unit.
Limitation of a fluid pressure to a precise value.

GENERAL CHARACTERISTICS

Canalized leakage safety valve with springs and range rating
Bronze body, PTFE disc. PN 16.
Bracket BSP female threaded ends with lever.

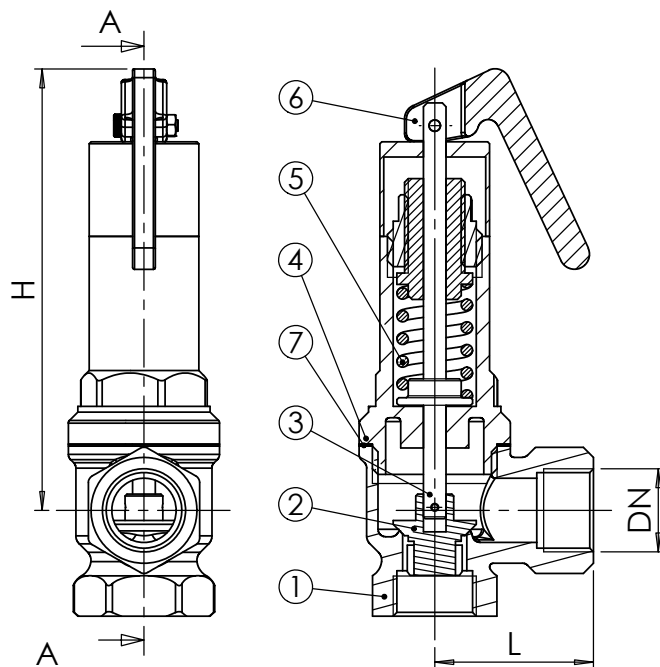
CONSTRUCTION

7	1	Bonnet gasket	Fiber	
6	1	Handle	Brass	
5	1	Spring	Steel	
4	1	Bonnet	Bronze CuSn5Zn5Pb5-C	DIN: G-CuSn5PbZn (Rg 5) ASTM: B62 C83600 BS: 1400 LG2
3	1	Stem	Brass CuZn39Pb2	DIN: CuZn39Pb2 ASTM: B124 C37700 BS: 12164 CZ121
2	1	Disc	PTFE	
1	1	Body	Bronze CuSn5Zn5Pb5-C	DIN: G-CuSn5PbZn (Rg 5) ASTM: B62 C83600 BS: 1400 LG2
Pos.	Qty.	Description	Material	



DIMENSIONS

DN		L	H	Weight (kg)
mm	inch			
15	1/2"	35	125	0,40
20	3/4"	42	157	0,70
25	1"	46	171	1,00
32	1" 1/4	55	195	1,60
40	1" 1/2	67	227	2,20
50	2"	74	249	3,45



WORKING CONDITIONS

Maximum working pressure :16 bar.
Maximum temperature : +110°C.
Setting range: 5 to 10 bar.

Pressure test according to standards
EN 12266-1, DIN 3230, BS 5154 and ISO 5208 :
Body : 24 bar.
Seat : 17,6 bar.

STANDARDS

BSP threaded according to standard ISO 228-1.

TECOFI France - 83, Rue Marcel Mérieux 69960 Corbas - FRANCE
Tél. +33 (0) 4 72 79 05 79 - Fax +33 (0) 4 78 90 19 19 / +33 (0) 4 72 79 05 70
Adresses e-mail : sales@tecofi.fr ; tecofi@tecofi.fr / Site web : www.tecofi.fr