

Ref. : RSP 1142.pas

Rev. : N

Date : 08/02/2012

Page : 1/1

BALL VALVE FULL BORE

RSP 1142



Tecofi
VALVE DESIGNER - FRANCE

APPLICATION

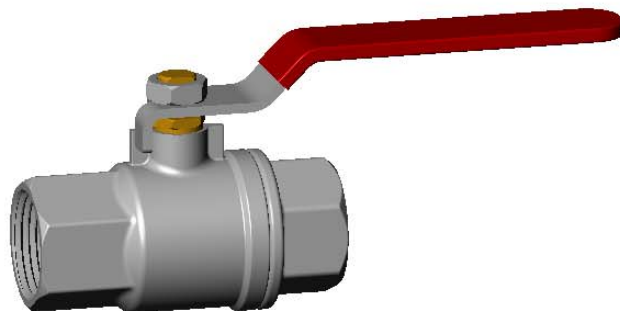
General uses : water distribution.

GENERAL CHARACTERISTICS

Full bore
Anti-blow out stem
With gland pack

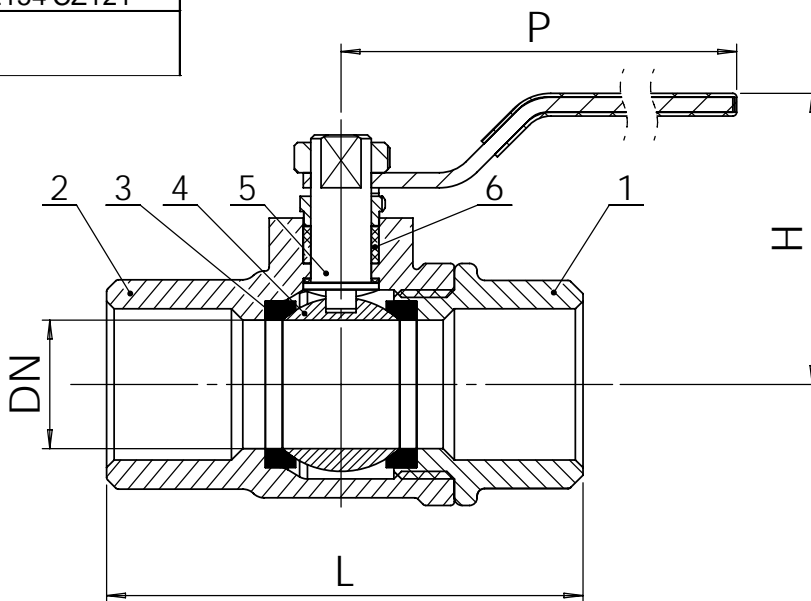
CONSTRUCTION

6	1	Packing	PTFE	
5	1	Stem	Brass	DIN : CuZn39Pb2 ASTM : B124 C37700 BS : 12154 CZ121
4	1	Ball	Chromed brass	
3	2	Seat	PTFE	
2	1	Interior body	Brossed brass	DIN : CuZn39Pb2 ASTM : B124 C37700 BS : 12154 CZ121
1	1	Exterior body	Nickeled brass	DIN : CuZn39Pb2 ASTM : B124 C37700 BS : 12154 CZ121
Pos.	Qty.	Description	Material	



DIMENSIONS

DN		H	L	P	Weight (kg)
mm	inch				
8	1/4"	41,8	44	81,5	0,13
12	3/8"	41,8	44	81,5	0,12
15	1/2"	47,8	51	85	0,16
20	3/4"	55,5	57	92	0,24
25	1"	60,5	63	106	0,36
32	1" 1/4"	68,1	77	117,5	0,55
40	1" 1/2"	75,3	85	131	0,82
50	2"	86,8	95	151,5	1,20
65	2" 1/2"	101,5	120	185	2,28
80	3"	122	141	225	3,56
100	4"	137,5	160	225	5,33



WORKING CONDITIONS

Maximum temperature : - 10°C / + 120°C.
Maximum working pressure : DN 1/4" - 3/8" : 25 bar
DN 1/2" - 4" : 16 bar

STANDARDS

BSP threaded according to standard ISO 228-1.