

Ref. : RP 1105P pas

Rev. : Initial

Date : 03/10/2013

Page : 1/1

BIBCOCK BALL VALVE PN16

RP 1105P



Tecofi
VALVE DESIGNER - FRANCE

APPLICATION

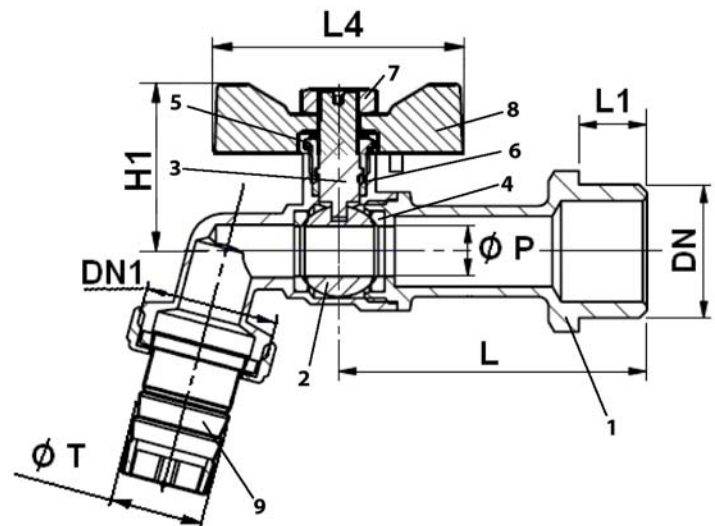
General use: water distribution.

CARACTERISTIQUES GENERALES

From DN1/2" to DN 1".
 Fabrication according to ISO 9001 : 2008.
 With hose coupling
 With manifold
 Solid ball
 PTFE packing
 with hose coupling and red aluminium butterfly handle

CONSTRUCTION

9	Hose coupling	Brass
8	Handle	Aluminium
7	Handle nut	Steel Q235
6	Packing	PTFE
5	Packing nut	Brass
4	Seat	PTFE
3	Stem	Brass
2	Ball	Brass
1	Body	Brass
Pos.	Description	Material



DIMENSIONS

DN		DN1	ØT	ØP	L	H1	L4	Weight (kg)
mm	inch							
15	1/2"	3/4"	19	10	55	35	53	0,175
20	3/4"	3/4"	19	10	61	35	53	0,204
25	1"	1"	21	12	67	□	□	0,278

WORKING CONDITIONS

Maximum working temperature: 0°C / +60°C

Maximum working pressure : 16 bar

STANDARDS

Threaded Male BSP cylindrical ends according to ISO 228-1.

The photographs and technical art works are not contractual. The specifications of the presented products are open to modifications without previous advice.