

Ref. : RF 6141

Rev. : Initial

Date : 16/09/2016

Page : 1/1

# STAINLESS STEEL FLOAT VALVE

## RF 6141



### APPLICATION

Liquid level control in tanks, deposits, etc.

### GENERAL CHARACTERISTICS

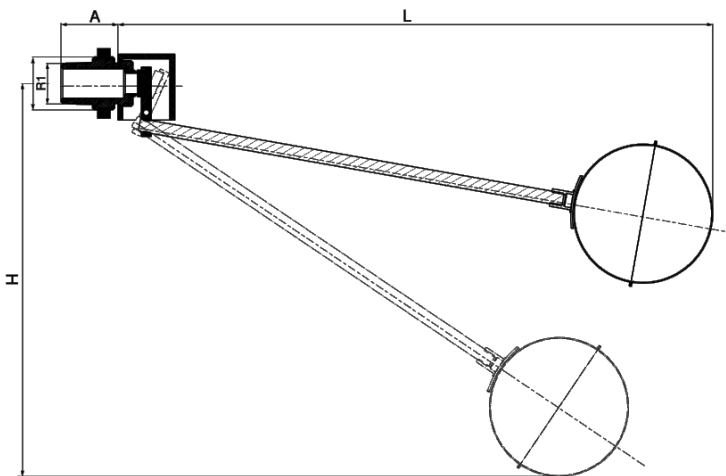
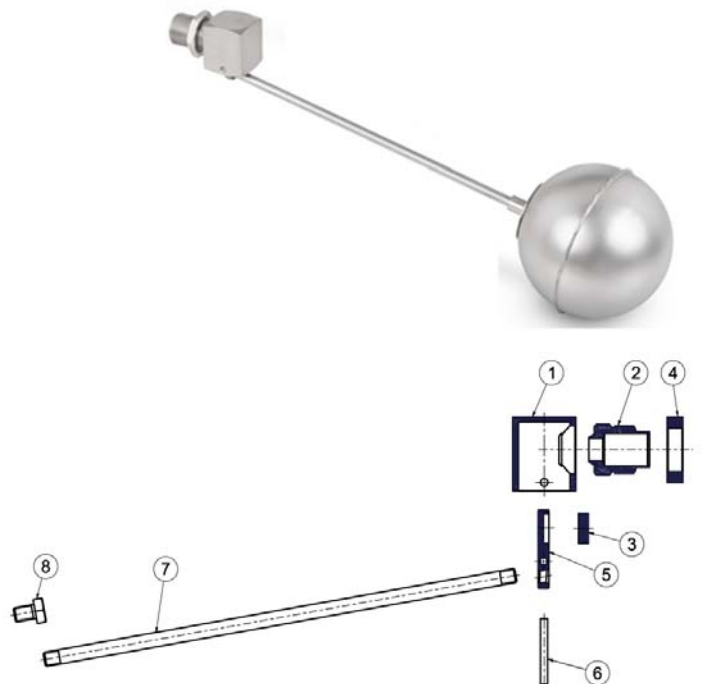
Range from DN 3/8" to DN 2"1/2.  
Stainless steel valve and float.  
Simplicity of construction ensuring minimum maintenance.  
Guarantees absolute opening and closing precision.  
Materials carefully selected for their resistance to corrosion.  
Fully constructed from laminated bars.

### CONSTRUCTION

8	Connector	Stainless steel EN 1,4401
7	Stem	Stainless steel EN 1,4401
6	Pin	Stainless steel EN 1,4401
5	Lever	Stainless steel EN 1,4408
4	Nut	Stainless steel EN 1,4401
3	Closure	Silicone
2	Coupling	Stainless steel EN 1,4401
1	Body	Stainless steel EN 1,4401
Pos.	Description	Material

### DIMENSIONS

DN	Pressure (bar)	Float dimension	L	H	R	A	Weight (kg)
3/8"	3	60x120mm	396	215	6	31	0,38
	5	90mm	366	210			0,41
	15	110mm	386	225			0,5
	16	150x60mm	428	222			0,6
1/2"	1,9	60x120mm	434	252	10	35	0,53
	2,8	90mm	404	245			0,56
	4,5	110mm	424	260			0,64
	5,8	150x60mm	420	260			0,9
3/4"	1,7	90mm	450	240	12,5	40	1,04
	2,5	110mm	469	255			1,12
	3,5	150x60mm	509	250			1,27
	11	150mm	507	282			1,32
1"	1	110mm	475	257	16	45	1,2
	1,5	150x60mm	507	250			1,34
	3,5	200x80mm	565	275			1,48
	4,5	150mm	510	285			1,38
	5,5	150mm	615	327			1,25
1"1/4	10,5	250x95mm	732	350	21	50	1,77
	1,5	150mm	637	317			1,82
	3,5	250x95mm	737	327			2,21
	8	200mm	680	355			1,95
	10	300x15mm	787	350			2,72
1"1/2	2	250x95mm	660	285	24	57	2,6
	4	200mm	610	315			2,57
	7	300x115mm	710	310			3,11
	10	350x130mm	760 ou 710	33 ou 385			3,25 ou 3,3
2"	3	200mm	677	410	29	60	3,86
	5	300x115mm	777	417			4,39
	8	350x130mm	827	440			4,81
	10	300mm	777	485			4,87
2"1/2	2	200mm	704	42	40	79	6,52
	2,5	300x115mm	804	427			7,3
	5	300mm	845 ou 804	450 ou 490			7,72 ou 7,5



### WORKING CONDITIONS

Maximum working pressure: 16 bar.  
Maximum working temperature: -60°C / 200°C

Pressure bar	16	15	14
Temperature °C	-60° / 120°C	-60° / 180°C	-60° / 200°C

### STANDARDS

BSP Threaded connection according to ISO 228/1

TECOFI France - 83, Rue Marcel Mérieux 69960 Corbas - FRANCE  
Tél. +33 (0) 4 72 79 05 79 - Fax +33 (0) 4 78 90 19 19 / +33 (0) 4 72 79 05 70  
Adresses e-mail : sales@tecofi.fr ; tecofi@tecofi.fr / Site web : www.tecofi.fr