

FLOAT VALVE

TECHNICAL PASSPORT

FLANGED TYPE ANGLE FORM BALANCED FLOAT VALVE

RF 3240

APPLICATION

The float valve allows automatic control of the filling level of reservoirs and tanks.

- **Area of use:** water networks, sanitation, irrigation.



Fluids : cold water, hot water, slightly charged wastewater, neutral liquids, etc.



GENERAL CHARACTERISTICS

Range : from DN40 to DN300.

- Square flanged float valve.
- Simple and robust construction
- Operation without risk of blockage.
- Low pressure drop
- Excellent tightness ensured by flexible seal

STANDARDS

Face to face	Face to face according to standards NF EN 558, DIN 3202 F32.
Connection	Mounting between flanges ISO PN10/16 from DN40 to DN150 and PN10 from DN200 to DN300 according to EN1092-2/B (DIN 2501)
Tests	Pressure test according to standards EN12266-1, DIN 3230, BS 5154 and ISO 5208: -Body : PS x 1.5 bar -Seat : PS x 1.1 bar

PRODUCT APPROVALS



Tecofi France

83 rue Marcel Mérieux - 69960 Corbas
Tél. +33 (0)4 72 79 05 79 - Fax. +33 (0)4 78 90 19 19
E-mail : sales@tecofi.fr - www.tecofi.fr



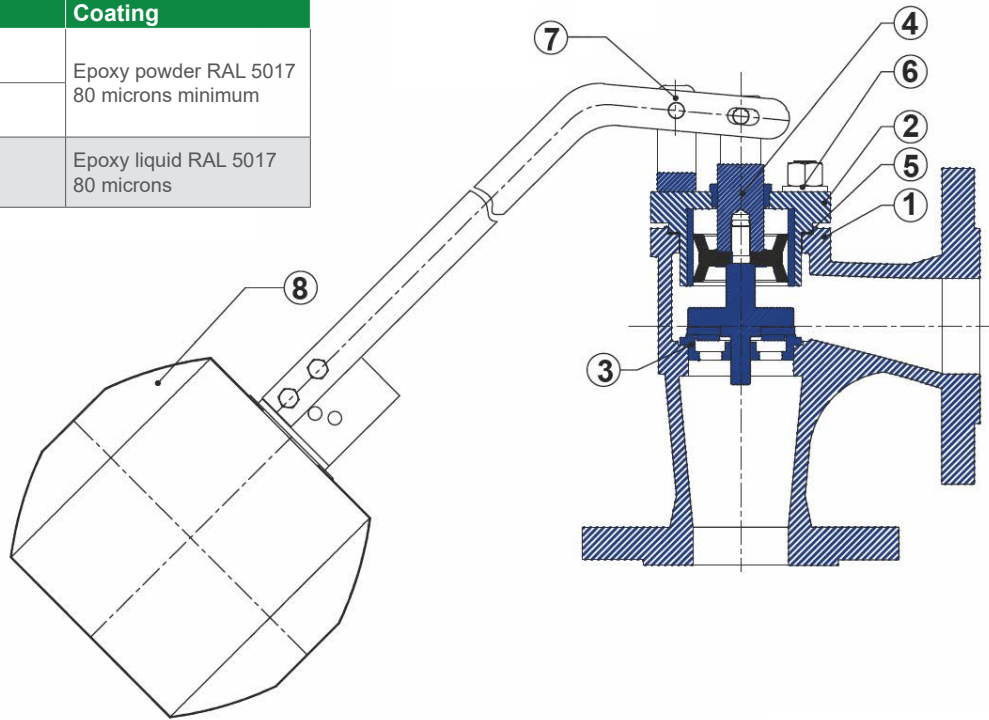
FLOAT VALVE

TECHNICAL PASSPORT

RF 3240

CONSTRUCTION

Component	Coating
Body (1)	Epoxy powder RAL 5017 80 microns minimum
Bonnet (2)	
Lever (7)	Epoxy liquid RAL 5017 80 microns



Pos.	Q-ty	Description	Material	Equivalences		
				DIN	ASTM	BS
1	1	Body	Cast iron EN-GJL-250	GG25	A48 class 40B	1452 Grade 250
2	2	Bonnet	Cast iron EN-GJL-250	GG25	A48 class 40B	1452 Grade 250
3	1	Seat	Stainles steel X5CrNi 18-10	X5CrNi 18 10	A 182 AISI 304	1449-2 304 S15
4		Stem	Stainles steel X20Cr13	X20Cr13	AISI420	1.4021
5	1	Gasket	NBR			
6	1	Bolts, nuts	Steel			
7	1	Lever	Epoxy coated steel			
8	1	Float	Stainles steel X5CrNi 18-10	X5CrNi 18 10	A 182 AISI 304	1449-2 304 S15

Tecofi France

83 rue Marcel Mérieux - 69960 Corbas
 Tél. +33 (0)4 72 79 05 79 - Fax. +33 (0)4 78 90 19 19
 E-mail : sales@tecofi.fr - www.tecofi.fr

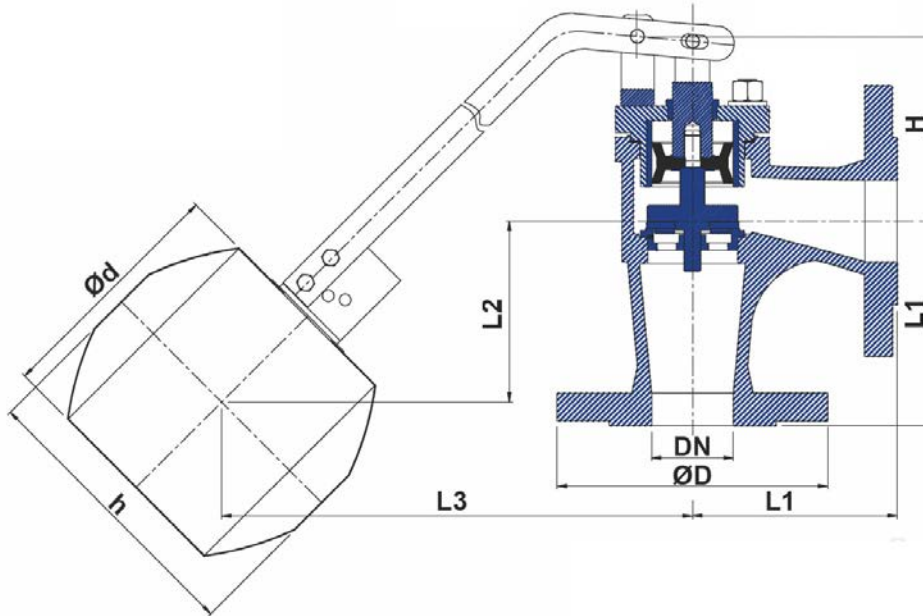


FLOAT VALVE

TECHNICAL PASSPORT

RF 3240

DIMENSIONS



DN		ØD	L1	H	Ød	h	L2		L3		Weight (kg)
mm	inch						Open	Closed	Open	Closed	
40	1"1/2	150	115	135	300	352	600	243	1100	1265	14
50	2"	165	125	135	300	352	525	119	1147	1295	15
65	2"1/2	185	145	140	300	352	612	207	1330	1485	20
80	3"	200	155	170	300	352	874	354	1125	1440	25
100	4"	220	175	185	375	390	660	297	1384	1553	30
125	5"	250	200	195	375	390	977	350	1600	1912	42
150	6"	285	225	205	375	390	975	367	1537	1866	70
200	8"	340	275	295	375	390	1093	439	1720	2092	130
250	10"	395	325	290	460	582	1064	390	1836	2195	155
300	12"	445	375	310	460	642	1342	450	2174	2675	230

WORKING CONDITIONS

Maximum working pressure : 16 bar from DN40 to DN150
10 bar from DN200 to DN300

Maximum working temperature : -10°C / +120°C

Tecofi France

83 rue Marcel Mérioux - 69960 Corbas
Tél. +33 (0)4 72 79 05 79 - Fax. +33 (0)4 78 90 19 19
E-mail : sales@tecofi.fr - www.tecofi.fr

