

Ref. : RC 7241.pas

Rev. : Initial

Date : 05/09/06

Page : 1/1

REGULATION AND COMMISSIONING UNIT PN20

RC 7241



Tecofi
VALVE DESIGNER - FRANCE

APPLICATION

General use : Isolation, regulation and commissioning.

GENERAL CHARACTERISTICS

Range : from DN 65 to DN 400.

Less height.

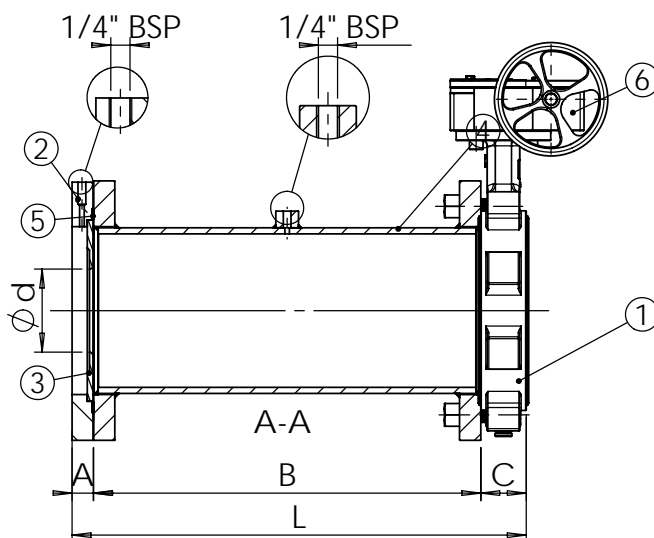
Less weight.

No flange gasket required.



CONSTRUCTION

Pos.	Qty.	Description	Material	
8	2	Ball valve	Brass	1/4" BSP M/F
7	1	Flow indicator	AISI 304	
6	1	Gear box		
5	1	Gasket	Fiber	
4	1	Compensation sleeve	Steel E 24-2	Oven backed epoxy coated RAL 5019
3	1	Diaphragm	Steel E 24-2	Oven backed epoxy coated RAL 5019
2	1	Upstream flange	Steel E 24-2	Oven backed epoxy coated RAL 5019
1	1	Threaded lugs butterfly valve	Ductile iron EN-GJS-400-15 (Body)	DIN : GGG 40 ASTM: A536 65-45-12 BS: 1563 EN-JS1030



DIMENSIONS

DN		A	B	C	Ø D	E	H	L	Ø d	Ø K	n x Ø M	Ø V
mm	inch											
65	2 1/2"	22	222	46	Ø178	148	268	290	Ø36	Ø139,7	4 x Ø19	Ø150
80	3"	24	240	46	Ø190	148	274	310	Ø42	Ø152,4	4 x Ø19	Ø150
100	4"	24	274	52	Ø229	148	293	350	Ø53	Ø190,5	8 x Ø19	Ø150
125	5"	24	320	56	Ø254	148	306	400	Ø67	Ø215,9	8 x Ø22	Ø300
150	6"	25	399	56	Ø279	148	318	480	Ø81	Ø241,3	8 x Ø22	Ø300
200	8"	28	456	60	Ø343	238	428	544	Ø110	Ø298,4	8 x Ø22	Ø300
250	10"	30	572	68	Ø406	238	458	670	Ø143	Ø362,0	12 x Ø25	Ø300
300	12"	32	676	78	Ø483	238	496	786	Ø177	Ø431,8	12 x Ø25	Ø300
350	14"	Available on request										
400	16"	Available on request										

WORKING CONDITIONS

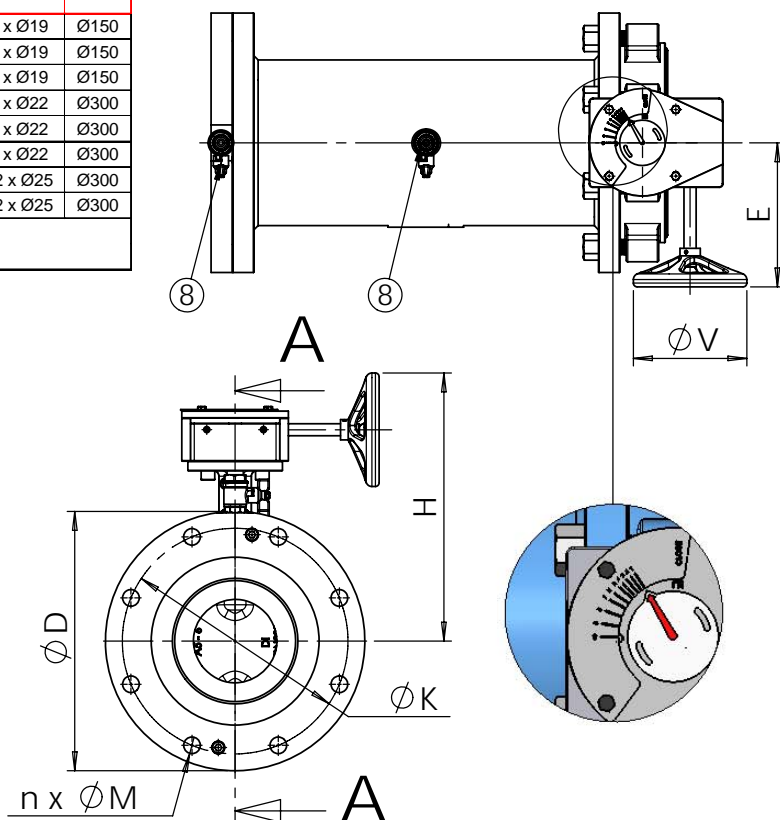
Maximum working pressure : 20 bar.
Maximum temperature : - 20°C / + 110°C.

STANDARDS

Pressure test according to standards
EN 12266-1, DIN 3230, BS 6755 and ISO 5208 :

Body : 30 bar.
Seat : 22 bar.

Flanges drilled according to EN 1092-2 : ISO PN20.



TECOFI France - 83, Rue Marcel Mérieux 69960 Corbas - FRANCE
Tél. +33 (0) 4 72 79 05 79 - Fax +33 (0) 4 78 90 19 19 / +33 (0) 4 72 79 05 70
Adresses e-mail : sales@tecofi.fr ; tecofi@tecofi.fr / Site web : www.tecofi.fr