

Ref. : RC 7240N

Rev. : F

Date : 14/01/2020

Page : 1/1

# BALANCING VALVE UNIT PN16

## RC 7240N



### APPLICATION

General use : Isolation, regulation and commissioning.

### GENERAL CHARACTERISTICS

Range : from DN 150 to DN 600.

Epoxy coated RAL 5019 adjusting assembly featuring a lugged type butterfly valve and a compensation sleeve. Sets the flow and makes measurement of differential pressure thanks the pressure nipples situated on both sides of the diaphragm.

### CONSTRUCTION

6	1	Position indicator		
5	1	Pressure nipple	Acier S235	
4	1	Diaphragm	Acier S235	
3	1	Gear box	Acier S235	
2	1	Compensation sleeve	Acier S235	
1	1	Lugged type butterfly valve	Corps en Fonte ductile EN-GJS-400-15	DIN : GGG 40 ASTM: A536 65-45-12 BS: 1563 EN-JS1030
<b>pos.</b>	<b>Q-ty</b>	<b>Description</b>	<b>Material</b>	

### DIMENSIONS

DN		A	B	C	ØD	E	H	L	Ød	ØK	n x ØM	ØV
mm	inch											
150	6"	22	294	56	285	157	310	350	83,5	240	8 x Ø22	150
200	8"	24	340	60	340	224	430	400	114	295	12 x Ø22	295
250	10"	26	382	68	405	224	460	450	148,4	355	12 x Ø26	295
300	12"	28	422	78	460	224	495	500	176,6	410	12 x Ø26	295
350	14"	30	459	78	520	226	560	537	208	470	16 x Ø26	295
400	16"	32	498	102	580	292	635	600	239,1	525	16 x Ø30	295
450	18"	34	536	114	640	292	687	650	270,1	585	20 x Ø30	295
500	20"	36	573	127	715	308	776	700	301,3	650	20 x Ø33	300
600	24"	40	646	154	840	363,5	943	800	326,8	770	20 x Ø36	430

### WORKING CONDITIONS

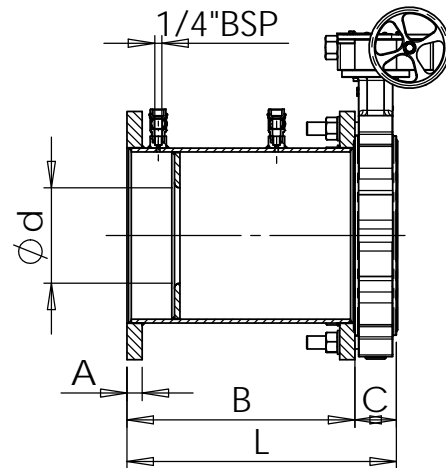
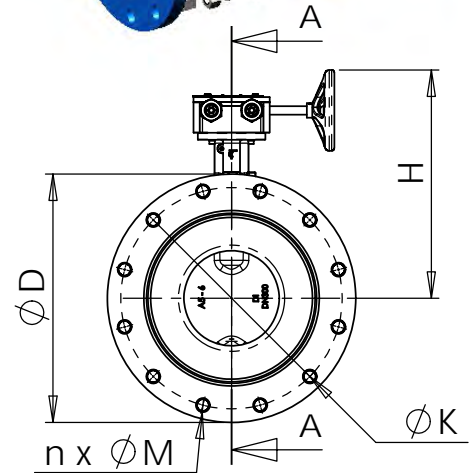
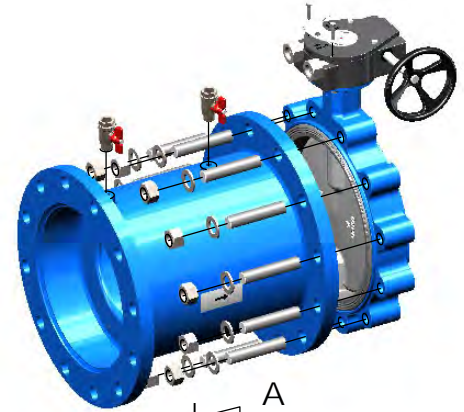
Maximum working pressure : 16 bar.  
Maximum working temperature : - 20°C / + 110°C.

### STANDARDS

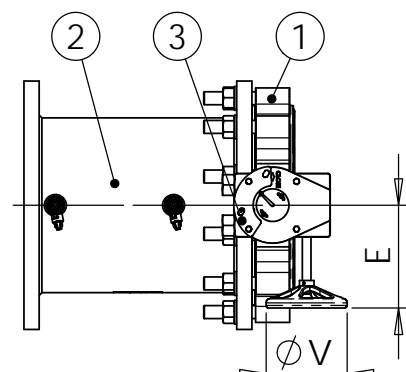
Pressure tests according to standards: EN 12266-1, DIN 3230, BS 6755 and ISO 5208 :

Body : 24 bar.  
Seat : 17.6 bar.

Flange connection according to EN 1092-2 : ISO PN16.



COUPE A-A



Les photographies et les illustrations techniques ne sont pas contractuelles. Les spécifications des produits présentés sont susceptibles de modifications sans avis préalable.