

Ref. : RC 4250.pas

Rev. : Initial

Date : 15/06/2020

Page : 1/1

FLANGED BALANCING VALVE PN25

RC 4250



Tecofi'
VALVE DESIGNER - FRANCE

APPLICATION

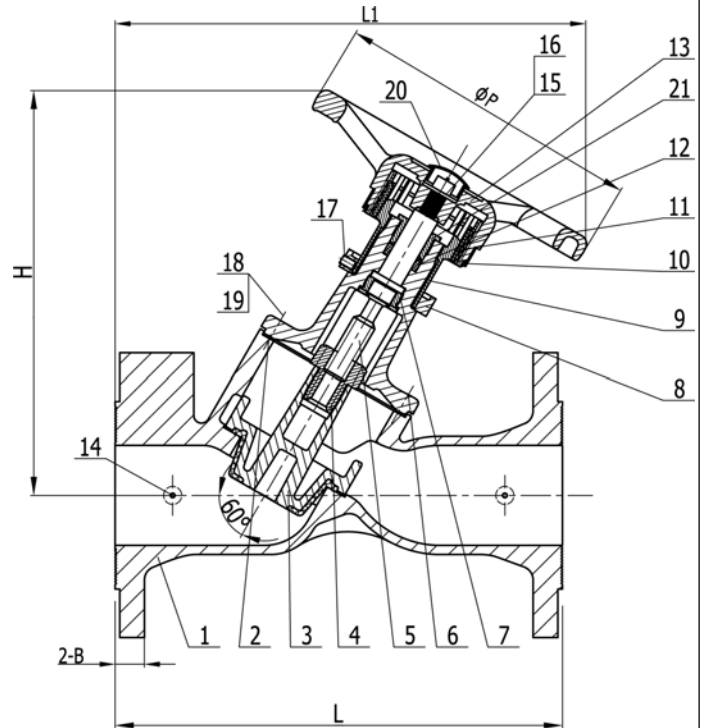
Accurate adjustment or stop valve on big heating and cooling systems, in new jobs or maintenance.

GENERAL CHARACTERISTICS

From DN65 to DN300.
Design according to BS7350:1990.
Oblique seat which allows a good adjustment precision.
Position indicator with a stroke limiter.
Fast draining and padding thanks to the drain plug.
Handwheel operating.

CONSTRUCTION

| | | | | |
|------|------|---------------------------|--------------------------------|-----------------|
| 21 | 1 | Packing gland | Brass (DN65-DN150) | EN12165 CW602N |
| | | | Ductile iron GGG40 (DN200-300) | EN-JS1040 |
| 20 | 1 | Indicator dust cover | ABS | |
| 19 | 4-12 | Spring gasket | Stainless steel | BS970 304S15 |
| 18 | 4-12 | Bolt | Stainless steel | BS970 304S15 |
| 17 | 2 | Hexagon socket screws | Stainless steel | BS970 304S15 |
| 16 | 1 | Big gasket | Stainless steel | BS970 304S15 |
| 15 | 1 | Bolt | Stainless steel | BS970 304S15 |
| 14 | 2 | Plug | Steel | |
| 13 | 1 | Hand wheel | Ductile iron GGG40 | EN-JS1040 |
| 12 | 2 | Packing | EPDM | |
| 11 | 1 | Indicator | ABS | |
| 10 | 1 | Directed circle | ABS | |
| 9 | 1 | Oriented set of indicator | Brass | EN 12165 CW602N |
| 8 | 2 | Limit set of indicator | Stainless steel | BS970 304S15 |
| 7 | 1 | Stem lock bushing | Brass | EN 12165 CW602N |
| 6 | 1 | Cover | Ductile iron GGG40 | EN-JS1040 |
| 5 | 1 | Stem | Stainless steel | BS970 410S21 |
| 4 | 1 | Stem nut | Brass | EN 12165 CW602N |
| 3 | 1 | Disc | Ductile iron GGG40 + EPDM | EN-JS1040 |
| 2 | 1 | Seal gasket | EPDM | |
| 1 | 1 | Body | Ductile iron GGG40 | EN-JS1040 |
| Pos. | Q-ty | Description | Material | |



DIMENSIONS

| DN | | H | L | L1 | B | ØP | Weight (kg) |
|-----|--------|-----|-----|-----|------|-----|-------------|
| mm | inch | | | | | | |
| 65 | 2" 1/2 | 265 | 290 | 310 | 19 | 200 | 20.4 |
| 80 | 3" | 370 | 310 | 320 | 19 | 200 | 24 |
| 100 | 4" | 310 | 350 | 360 | 19 | 240 | 34.8 |
| 125 | 5" | 340 | 400 | 415 | 19 | 290 | 48 |
| 150 | 6" | 350 | 480 | 445 | 20 | 290 | 62.4 |
| 200 | 8" | 537 | 600 | 620 | 22 | 350 | 135.6 |
| 250 | 10" | 591 | 730 | 720 | 24.5 | 420 | 222 |
| 300 | 12" | 690 | 850 | 875 | 27.5 | 420 | 297.6 |

WORKING CONDITIONS

Maximum working pressure : 25 bar
Maximum working temperature : -10°C / 120°C

STANDARDS

Flange connection according to EN 1092-2 ISO PN 25.
Test pressure according to EN 12266-1, DIN 3230, BS 6755 and ISO 5208.

The photographs and technical art works are not contractual. The specifications of the presented products are open to modifications without previous advice.