

BALANCING VALVE

TECHNICAL PASSPORT

BALANCING VALVE WITH VARIABLE ORIFICE - FLANGED PN16

RC4240

APPLICATION

The balancing valve allows to adjust the flow rate on circuits creating additional pressure losses thanks to precise adjustment.

Areas of use: heating circuit, air conditioning.



Fluids: heat transfer fluids (water, glycol water...), refrigerant, etc.

GENERAL CHARACTERISTICS

Range: from DN65 to DN600.

- Design according to BS7350:1990 standard.
- Oblique seat ensuring excellent adjustment precision.
- Opening indicator with stroke limiter.
- Possibility of locking the adjustment positions.
- Operating by handwheel.



STANDARDS

Design	Design according to BS7350:1990 standard
Connection	Flanged connection according to EN 1092-2 ISO PN16
Face to face	Face to face according to standard EN 558-1.
Tests	Test pressure in accordance with EN 12266-1, DIN 3230, BS 6755 and ISO 5208: - Body : 24 bar - Seat : 17.6 bar

PRODUCT APPROVALS



Tecofi France

83 rue Marcel Mérieux - 69960 Corbas
Tél. +33 (0)4 72 79 05 79 - Fax. +33 (0)4 78 90 19 19
E-mail : sales@tecofi.fr - www.tecofi.fr

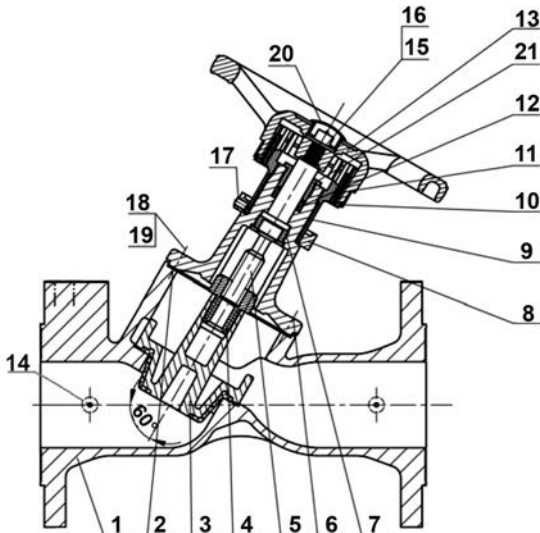


BALANCING VALVE

TECHNICAL PASSPORT

RC4240

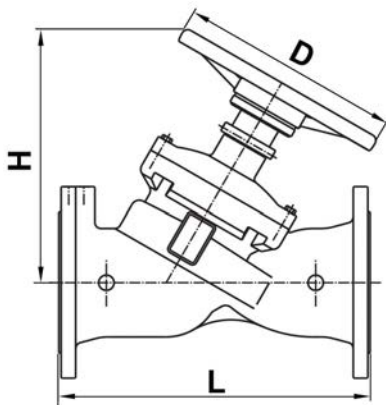
CONSTRUCTION



Component	Coating
Body and bonnet	Epoxy powder RAL 6005 250 microns

Pos.	Q-ty	Description	Material	
1	1	Body	Ductile iron GGG40	EN-JS 1040
2	1	Seal gasket	EPDM	
3	1	Disc	Ductile iron + EPDM	EN-JS 1040
4	1	Stem nut	Brass	EN 12165 CW617N
5	1	Stem	Stainless steel	BS970 410S21 (DN65-DN150) BS970 431S21 (DN200-DN600)
6	1	Bonnet	Ductile iron GGG40	EN-JS 1040
7	1	Stem lock bushing	Brass	EN 12165 CW617N
8	2	Limit set of indicator	Stainless steel	BS970 304S15
9	1	Guide	Brass	EN 12165 CW367N
10	1	Directed circle	ABS	
11	1	Indicator	ABS	
12	2	Packing	EPDM	
13	1	Handwheel	Ductile iron GGG40	EN-JS 1040
14	2	Plug	Steel	
15	1	Bolt	Stainless steel	BS970 304S15
16	1	Gasket	Stainless steel	BS970 304S15
17	2	Hexagonal socket screws	Stainless steel	BS970 304S15
18	4-12	Bolt	Stainless steel	BS970 304S15
19	4-12	Spring gasket	Stainless steel	BS970 304S15
20	1	Dust cover	ABS	
21	1	Packing gland	Brass (DN65-DN150) Ductile iron (DN200-600)	EN 12165 CW617N EN-JS 1040

DIMENSIONS



DN		L	D	H	Kvs	Weight (kg)
mm	inch					
65	2"1/2	290	200	265	104	21
80	3"	310	200	270	116	23
100	4"	350	240	310	213	35
125	5"	400	290	340	333	48
150	6"	480	290	340	476	62
200	8"	600	350	537	768	135
250	10"	730	420	570	1153	222
300	12"	850	420	690	1743	298
350	14"	980	420	685	1798	408
400	16"	1100	640	965	2338	592
450	18"	1200	640	1020	2698	684
500	20"	1250	640	1065	3708	836
600	24"	1450	640	1180	4500	-

Tecofi France

83 rue Marcel Mérieux - 69960 Corbas
 Tél. +33 (0)4 72 79 05 79 - Fax. +33 (0)4 78 90 19 19
 E-mail : sales@tecofi.fr - www.tecofi.fr



BALANCING VALVE

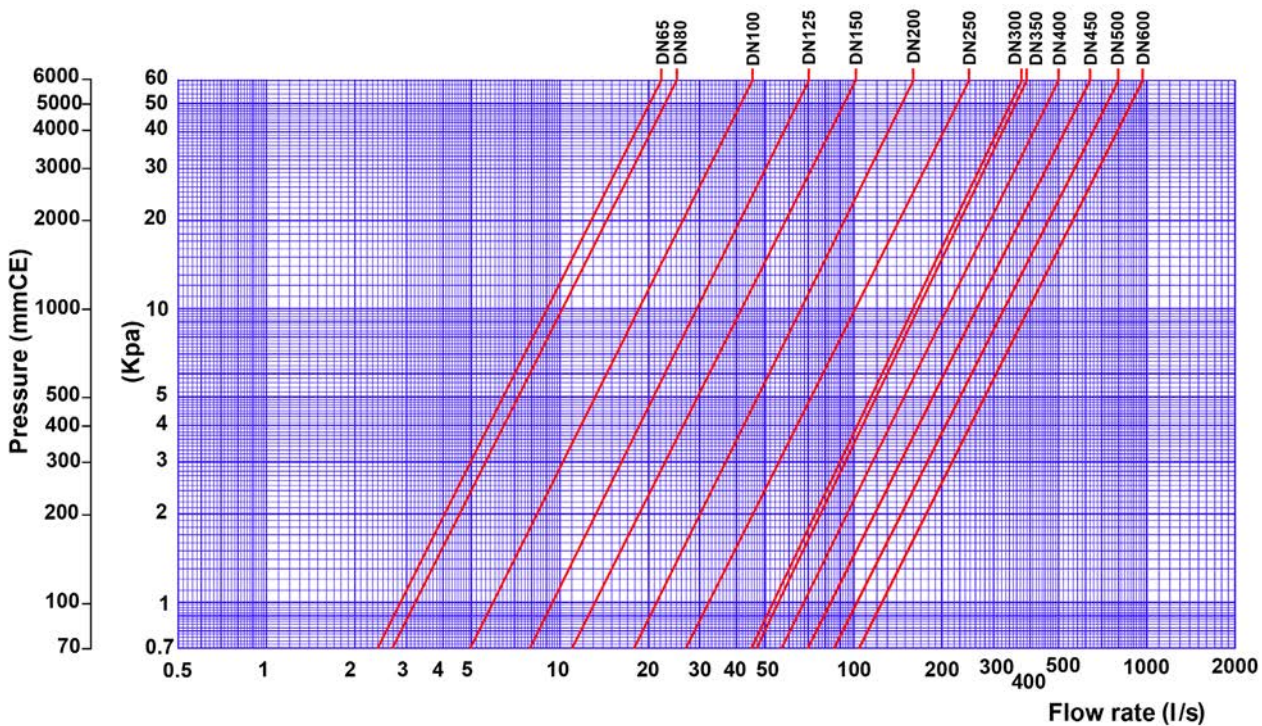
TECHNICAL PASSPORT

RC4240

WORKING CONDITIONS

Maximum working pressure : 16 bar
 Maximum working temperature : -10°C / +120°C

FLOW MEASUREMENT GRAPHS



Flow factors Kvs (l/s)

DN	mm	65	80	100	125	150	200	250	300	350	400	450	500	600
	inch	2 1/2"	3"	4"	5"	6"	8"	10"	12"	14"	16"	18"	20"	24"
Kvs		104	116	213	333	476	768	1153	1743	1798	2338	2968	3708	4500

Tecofi France

83 rue Marcel Mérieux - 69960 Corbas
 Tél. +33 (0)4 72 79 05 79 - Fax. +33 (0)4 78 90 19 19
 E-mail : sales@tecofi.fr - www.tecofi.fr



The photographs and technical art works are not contractual. The specifications of the presented products are open to modifications without previous advice.