

Ref. : RAS6843NPT

Rev. : Initial

Date : 15/01/2015

Page : 1/1

FORGED STAINLESS STEEL GLOBE VALVE 800LBS

RAS 6843NPT



APPLICATION

General use: Petroleum industry, steam, high pressure

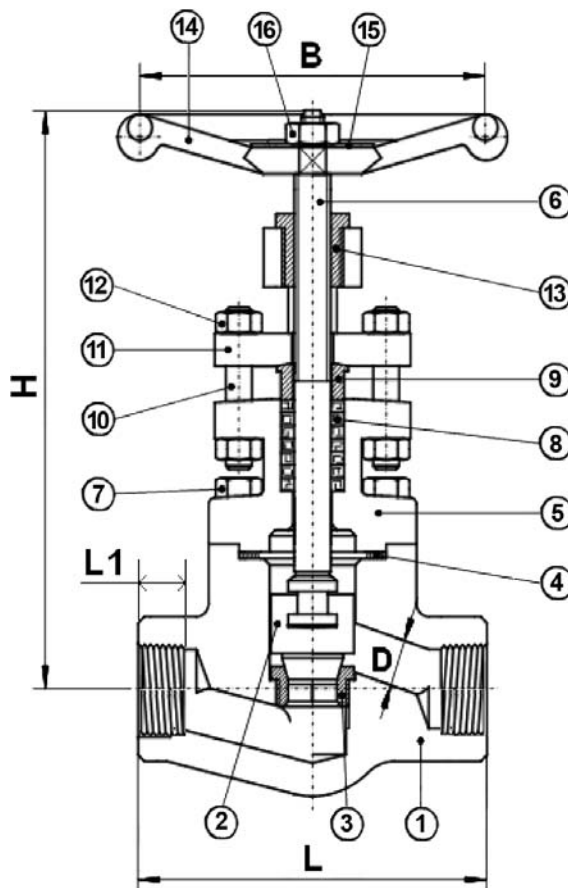
GENERAL CHARACTERISTICS

Respect the flow direction (indicated by the arrow).
Standard port.
Rising rotating stem (OS&Y).
Bolted bonnet and gland pack.
Forged Carbon steel .
½ stellite (Trim 10 standart stainless steel 316).
800 lbs.



CONSTRUCTION

16	Wheel nut	Carbon steel
15	Name plate	Aluminium
14	Handwheel	Carbon steel
13	Yoke nut	Stainless steel ASTM A582 type 303
12	Gland nut	Steel ASTM A194 GR.8
11	Gland flange	Stainless steel ASTM A182 F304
10	Gland tie rod	Acier ASTM A193 B8
9	Gland	Stainless steel ASTM A479 type 304
8	Packing	Graphite
7	Bolt	Steel ASTM A193 B8
6	Stem	Stainless steel ASTM A479 type 316
5	Bonnet	Stainless steel ASTM A182 F316
4	Gasket	Stainless steel 316 + graphite spirale
3	Seat	Stainless steel ASTM A479 type 316
2	Disc	Stainless steel ASTM A479 type 316
1	Body	Stainless steel ASTM A182 F316
Pos.	Description	Material



DIMENSIONS

DN		L	H (opened)	ØD	ØB	L1	Weight (kg)
mm	inch						
10	3/8"	80	148	9	90	13	1.9
15	1/2"	80	148	9	90	15	1.9
20	3/4"	90	165	13	90	18	2.18
25	1"	110	180	17.5	110	19	3.52
32	1 1/4"	127	213	22.5	130	20	5.3
40	1 1/2"	155	248	29.5	130	21	7.3
50	2"	170	257	35	180	21	11.3

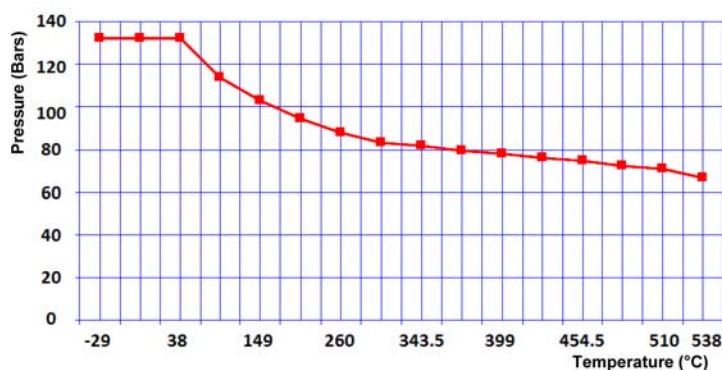
WORKING CONDITIONS

Maximum working pressure : 138 bar.
Maximum working temperature : -29°C/+538°C.

STANDARDS

Fabrication according to **ISO 9001 : 2008**
DIRECTIVE 2014/68/UE
Risk category III module H
Designing according to **ISO 15761** and **API 602** 8th
Tests according to **API 598**
Approval certificate Russian Federation **GOST-R**
Valves approved by the main oil industries
ATEX Group II Category 2 G/2D Zone 1 & 21 Zone 2 & 22
Threaded female NPT ends according to **ANSI B1.20.1**.

PRESSION / TEMPERATURE GRAPH



TECOFI France - 83, Rue Marcel Mérieux 69960 Corbas - FRANCE
Tél. +33 (0) 4 72 79 05 79 - Fax +33 (0) 4 78 90 19 19 / +33 (0) 4 72 79 05 70
Adresses e-mail : sales@tecofi.fr ; tecofi@tecofi.fr / Site web : www.tecofi.fr