

Ref. : RAS5843NPT

Rev. : Initial

Date : 13/01/2015

Page : 1/1

FORGED STEEL GLOBE VALVE 800LBS

RAS 5843NPT

ISO 9001
BUREAU VERITAS
Certification



ERAC



Tecofi
VALVE DESIGNER - FRANCE

APPLICATION

General use: Petroleum industry, steam, high pressure

GENERAL CHARACTERISTICS

Respect the flow direction (indicated by the arrow).

Standard port.

Rising rotating stem (OS&Y).

Bolted bonnet and gland pack.

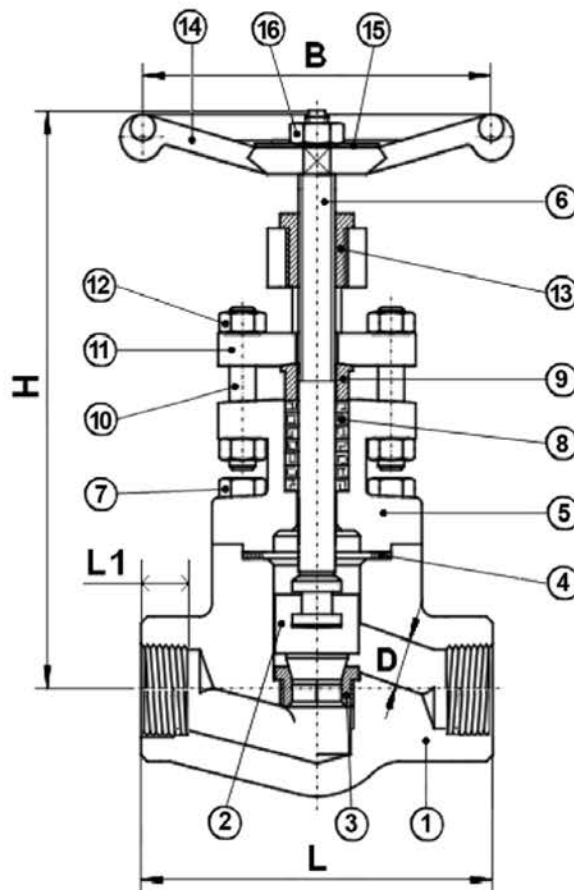
Forged Carbon steel .

½ stellite (Trim 8) .

800 lbs.

CONSTRUCTION

16	Wheel nut	Carbon steel
15	Name plate	Aluminium
14	Handwheel	Carbon steel
13	Yoke nut	Steel ASTM A582 type 416
12	Gland nut	Steel ASTM A194 2H
11	Gland flange	Steel ASTM A105
10	Gland tie rod	Stainless steel 410
9	Gland	Stainless steel ASTM A276 type 410
8	Packing	Graphite
7	Bolt	Steel ASTM A193 B7
6	Stem	Stainless steel ASTM A276 type 410
5	Bonnet	Steel ASTM A105N
4	Gasket	Stainless steel 316 + graphite spiralé
3	Seat	Stainless steel ASTM A276 type 410 + Stellite GR.6'
2	Disc	Stainless steel ASTM A276 type 410
1	Body	Steel ASTM A105N
Pos.	Description	Material



DIMENSIONS

DN		L	H (opened)	ØD	ØB	L1	Weight (kg)
mm	inch						
10	3/8"	80	148	9	13	11.1	1.9
15	1/2"	80	148	9	15	12.7	1.9
20	3/4"	90	165	13	18	14.5	2.14
25	1"	110	180	17.5	19	16	3.42
32	1"1/4	127	213	22.5	20	17.5	5.14
40	1"1/2	155	248	29.5	21	19	7.06
50	2"	170	257	35	21	22	11

WORKING CONDITIONS

Maximum working pressure : 138 bar.

Maximum working temperature : -29°C/+425°C.

STANDARDS

Fabrication according to **ISO 9001 : 2008**

DIRECTIVE 2014/68/UE

Risk category III module H

Designing according to **ISO 15761** and **API 602 8th**

Tests according to **API 598**

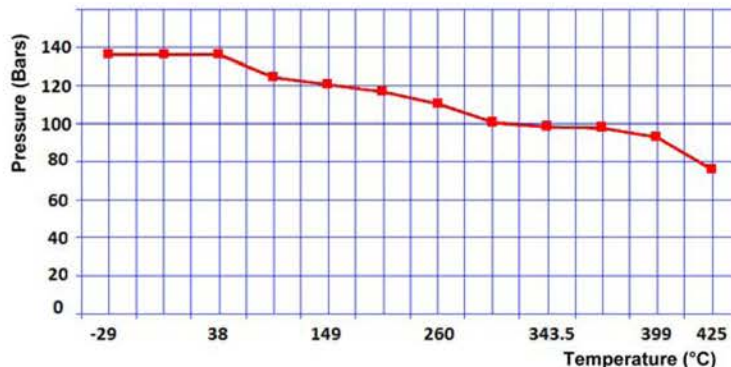
Approval certificate Russian Federation **GOST-R**

Valves approved by the main oil industries

ATEX Group II Category 2 G/2D Zone 1 & 21 Zone 2 & 22

Threaded female NPT ends according to **ANSI B1.20.1**.

PRESSION / TEMPERATURE GRAPH



TECOFI France - 83, Rue Marcel Mérieux 69960 Corbas - FRANCE
Tél. +33 (0) 4 72 79 05 79 - Fax +33 (0) 4 78 90 19 19 / +33 (0) 4 72 79 05 70
Adresses e-mail : sales@tecofi.fr ; tecofi@tecofi.fr / Site web : www.tecofi.fr