

Ref. : RAS5833NPT

Rev. : Initial

Date : 15/01/2015

Page : 1/1

FORGED STEEL GLOBE VALVE WITH BELLOW 600LBS

RAS 5833NPT



Tecofi
VALVE DESIGNER - FRANCE

APPLICATION

General use: Petroleum industry, steam, high pressure

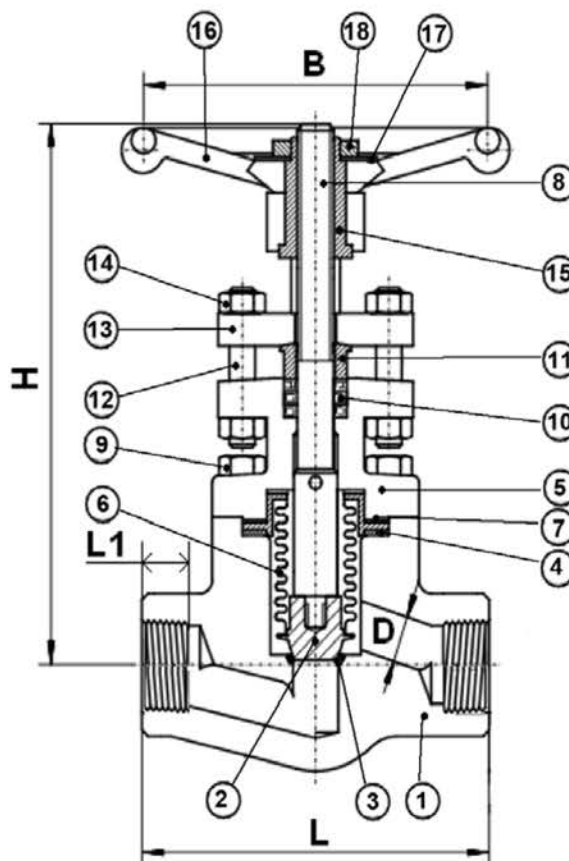
GENERAL CHARACTERISTICS

Respect the flow direction (indicated by the arrow)

- Standard port
- Rising stem non rotating
- Bolted bonnet and gland pack
- Forged Carbon steel
- ½ stellite (Trim 8)
- Stainless steel bellow
- 600 lbs

CONSTRUCTION

18	Wheel nut	Carbon steel
17	Name plate	Aluminium
16	Handwheel	Carbon steel
15	Yoke nut	Steel ASTM A582 type 416
14	Gland nut	Steel ASTM A194 2H
13	Gland flange	Steel ASTM A105
12	Gland tie rod	Stainless steel 410
11	Gland	Stainless steel ASTM A276 type 410
10	Packing	Graphite
9	Bolt	Steel ASTM A193 B7
8	Stem	Stainless steel ASTM A276 type 410
7	Gasket	Reinforced graphite
6	Bellow	ASTM A479 type 321
5	Bonnet	Steel ASTM A105N
4	Gasket	Stainless steel 316 + graphite spiralé
3	Seat	Stainless steel ASTM A276 type 410 + Stellite GR.6'
2	Disc	Stainless steel ASTM A276 type 410
1	Body	Steel ASTM A105N
Pos.	Description	Material



DIMENSIONS

DN		L	H (opened)	ØD	ØB	L1	Weight (kg)
mm	inch						
10	3/8"	80	136	9	90	15	1.85
15	1/2"	90	144	13	90	18	2.07
20	3/4"	110	167	17.5	110	19	3.44
25	1"	127	194	22.5	130	20	5
32	1 1/4"	155	220	29.5	130	21	7.1
40	1 1/2"	170	230	35	180	21	11
50	2"	80	136	9	90	15	1.85

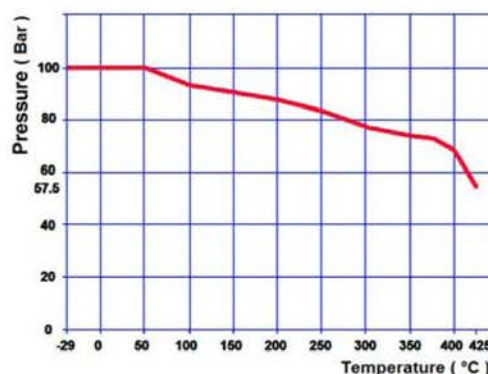
WORKING CONDITIONS

Maximum working pressure : 100 bar.
Maximum working temperature : -29°C/+425°C.

STANDARDS

Fabrication according to **ISO 9001 : 2008**.
DIRECTIVE 2014/68/UE.
Risk category III module H.
Designing according to **ISO 15761** and **API 602 8th**.
Tests according to **API 598**.
Approval certificate Russian Federation **GOST-R**.
Valves approved by the main oil industries.
ATEX Group II Category 2 G/2D Zone 1 & 21 Zone 2 & 22.
Threaded female NPT ends according to **ANSI B1.20.1**.

PRESSION / TEMPERATURE GRAPH



TECOFI France - 83, Rue Marcel Mérieux 69960 Corbas - FRANCE
Tél. +33 (0) 4 72 79 05 79 - Fax +33 (0) 4 78 90 19 19 / +33 (0) 4 72 79 05 70
Adresses e-mail : sales@tecofi.fr ; tecofi@tecofi.fr / Site web : www.tecofi.fr

The photographs and technical art works are not contractual. The specifications of the presented products are open to modifications without previous advice.