

Ref. : RAS5833BSP

Rev. : Initial

Date : 15/01/2015

Page : 1/1

FORGED STEEL GLOBE VALVE WITH BELLOW 600LBS

RAS 5833BSP



APPLICATION

General use: Petroleum industry, steam, high pressure

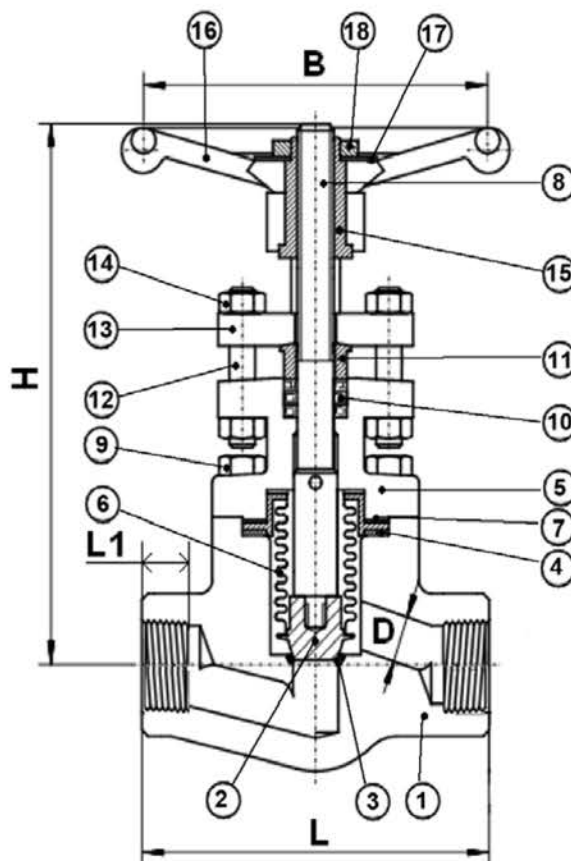
GENERAL CHARACTERISTICS

Respect the flow direction (indicated by the arrow)

- Standard port
- Rising stem non rotating
- Bolted bonnet and gland pack
- Forged Carbon steel
- ½ stellite (Trim 8)
- Stainless steel bellow
- 600 lbs

CONSTRUCTION

| | | |
|-------------|--------------------|-----------------------------------------------------|
| 18 | Wheel nut | Carbon steel |
| 17 | Name plate | Aluminium |
| 16 | Handwheel | Carbon steel |
| 15 | Yoke nut | Steel ASTM A582 type 416 |
| 14 | Gland nut | Steel ASTM A194 2H |
| 13 | Gland flange | Steel ASTM A105 |
| 12 | Gland tie rod | Stainless steel 410 |
| 11 | Gland | Stainless steel ASTM A276 type 410 |
| 10 | Packing | Graphite |
| 9 | Bolt | Steel ASTM A193 B7 |
| 8 | Stem | Stainless steel ASTM A276 type 410 |
| 7 | Gasket | Reinforced graphite |
| 6 | Bellow | ASTM A479 type 321 |
| 5 | Bonnet | Steel ASTM A105N |
| 4 | Gasket | Stainless steel 316 + graphite spiralé |
| 3 | Seat | Stainless steel ASTM A276 type 410 + Stellite GR.6' |
| 2 | Disc | Stainless steel ASTM A276 type 410 |
| 1 | Body | Steel ASTM A105N |
| Pos. | Description | Material |



DIMENSIONS

| DN | | L | H (opened) | ØD | ØB | L1 | Weight (kg) |
|----|--------|-----|---------------|------|-----|----|----------------|
| mm | inch | | | | | | |
| 10 | 3/8" | 80 | 136 | 9 | 90 | 15 | 1.85 |
| 15 | 1/2" | 90 | 144 | 13 | 90 | 18 | 2.07 |
| 20 | 3/4" | 110 | 167 | 17.5 | 110 | 19 | 3.44 |
| 25 | 1" | 127 | 194 | 22.5 | 130 | 20 | 5 |
| 32 | 1 1/4" | 155 | 220 | 29.5 | 130 | 21 | 7.1 |
| 40 | 1 1/2" | 170 | 230 | 35 | 180 | 21 | 11 |
| 50 | 2" | 80 | 136 | 9 | 90 | 15 | 1.85 |

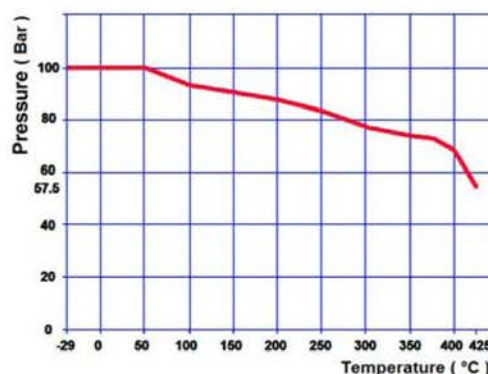
WORKING CONDITIONS

Maximum working pressure : 100 bar.
Maximum working temperature : -29°C/+425°C.

STANDARDS

Fabrication according to **ISO 9001 : 2008**.
DIRECTIVE 2014/68/UE.
Risk category III module H.
Designing according to **ISO 15761** and **API 602** 8th.
Tests according to **API 598**.
Approval certificate Russian Federation **GOST-R**.
Valves approved by the main oil industries.
ATEX Group II Category 2 G/2D Zone 1 & 21 Zone 2 & 22.
Threaded female BSP cylindrical ends according to **ISO 7-1 Rp**.

PRESSION / TEMPERATURE GRAPH



TECOFI France - 83, Rue Marcel Mérieux 69960 Corbas - FRANCE
Tél. +33 (0) 4 72 79 05 79 - Fax +33 (0) 4 78 90 19 19 / +33 (0) 4 72 79 05 70
Adresses e-mail : sales@tecofi.fr ; tecofi@tecofi.fr / Site web : www.tecofi.fr

The photographs and technical art works are not contractual. The specifications of the presented products are open to modifications without previous advice.