

Ref. : RAS5763SW

Rev. : Initial

Date : 14/01/2015

Page : 1/1

FORGED Y PATTERN GLOBE VALVE WELDED BONNET 1500LBS

RAS 5763SW



APPLICATION

General use: Petroleum industry, steam, high pressure.

GENERAL CHARACTERISTICS

Respect the flow direction (indicated by the arrow).

- Full bore.
- Rising stem (OS&Y).
- Welded bonnet.
- Bolted gland pack.
- Forged carbon steel A105N.
- Full stellite.
- 1500 lbs.

CONSTRUCTION

14	Handwheel nut	Carbon steel
13	ID plate	Aluminium
12	Handwheel	Carbon steel
11	Yoke nut	Steel ASTM A473 type 416
10	Gland nut	Steel ASTM A194 2H
9	Gland flange	Steel ASTM A105
8	Packing tie rod	UNS S41000
7	Gland	UNS S41000
6	Packing	Graphite
5	Stem	SS ASTM A276 type 410
4	Bonnet	Steel ASTM A105N
3	Seat	Stellite GR. 6'
2	Disc	Stainless steel ASTM A276 type 410 stellite
1	Body	Steel ASTM A105N
Pos.	Description	Material



DIMENSIONS

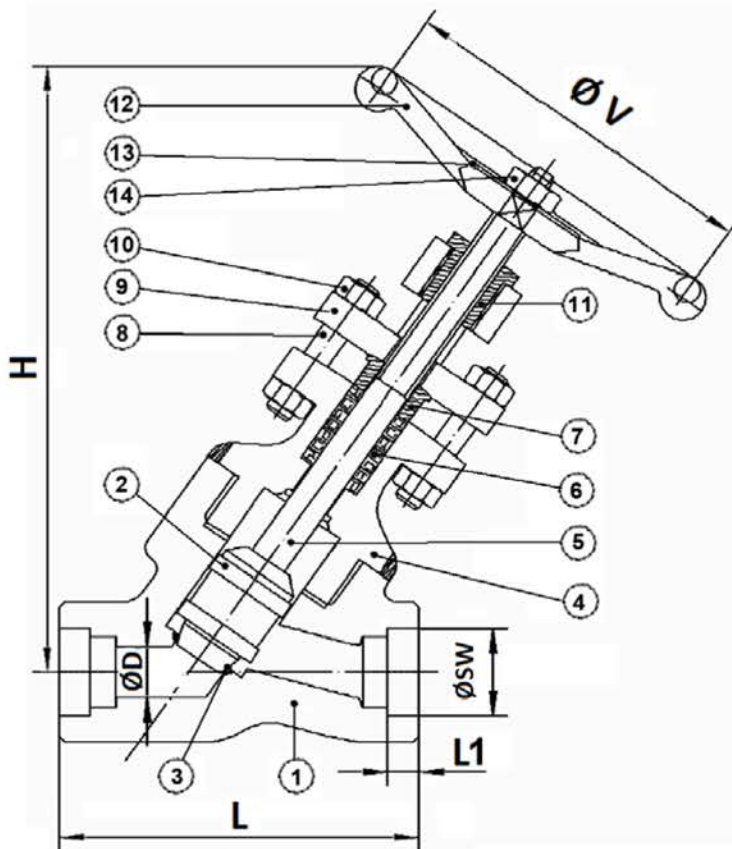
DN		L	H (opened)	ØD	ØV	L1	ØSW	Weight (kg)
mm	inch							
15	1/2"	110	170	11	110	12.7	21.8	2
20	3/4"	142	240	15	130	14.5	27.2	4.2
25	1"	142	250	19.5	130	16	33.9	5.2
32	1 1/4"	170	280	27.5	180	17.5	42.7	9
40	1 1/2"	170	380	31.5	180	19	48.8	10.5
50	2"	180	420	39	180	22	61.2	13.5

WORKING CONDITIONS

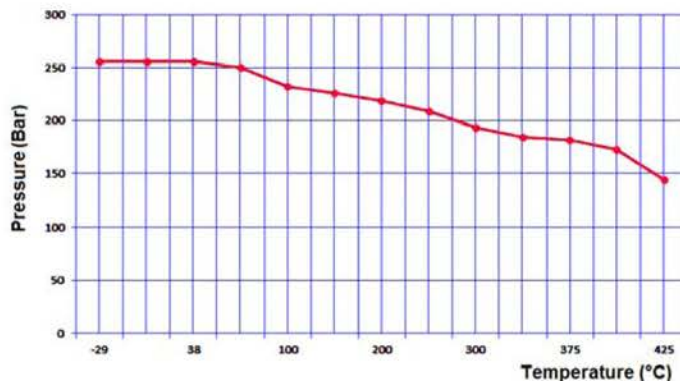
Maximum working pressure : 250 bar.
Maximum working temperature : -29°C/+425°C.

STANDARDS

Fabrication according to **ISO 9001 : 2008**
DIRECTIVE 2014/68/UE
Risk category III module H
Designing according to **ISO 15761** and **API 602 8th**
Tests according to **API 598**
Approval certificate Russian Federation **GOST-R**
Valves approved by the main oil industries
ATEX Group II Category 2 G/2D Zone 1 & 21 Zone 2 & 22
Socket welding (SW) connection.



PRESSURE / TEMPERATURE GRAPH



TECOFI France - 83, Rue Marcel Mérieux 69960 Corbas - FRANCE
Tél. +33 (0) 4 72 79 05 79 - Fax +33 (0) 4 78 90 19 19 / +33 (0) 4 72 79 05 70
Adresses e-mail : sales@tecofi.fr ; tecofi@tecofi.fr / Site web : www.tecofi.fr

The photographs and technical art works are not contractual. The specifications of the presented products are open to modifications without previous advice.