

Ref. : RAS5743SW

Rev. : Initial

Date : 13/01/2015

Page : 1/1

FORGED GLOBE VALVE WELDED BONNET 800LBS

RAS 5743SW



APPLICATION

General use: Petroleum industry, steam, high pressure.

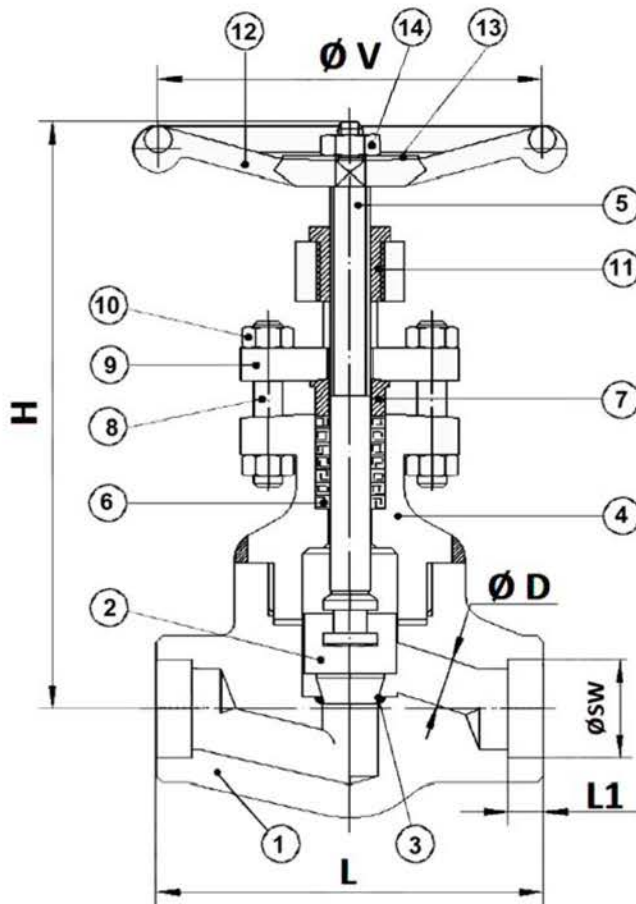
GENERAL CHARACTERISTICS

Respect the flow direction (indicated by the arrow)
 Standard bore
 Rising rotating stem (OS&Y)
 Welded bonnet
 Bolted gland pack
 Forged carbon steel A105N
 Full stellite (Trim 5)
 800 lbs



CONSTRUCTION

14	Handwheel nut	Carbon steel
13	ID plate	Aluminium
12	Handwheel	Carbon steel
11	Yoke nut	Steel ASTM A473 type 416
10	Gland nut	Steel ASTM A194 2H
9	Gland flange	Steel ASTM A105
8	Packing tie rod	UNS S41000
7	Gland	UNS S41000
6	Packing	Graphite
5	Stem	SS ASTM A276 type 410
4	Bonnet	Steel ASTM A105N
3	Seat	Stellite GR. 6'
2	Disc	Steel ASTM A182 F6a stellite
1	Body	Steel ASTM A105N
Pos.	Description	Material



DIMENSIONS

DN		L	H (opened)	ØD	ØV	L1	ØSW	Weight (kg)
mm	inch							
15	1/2"	80	148	9	80	12.7	21.8	1.7
20	3/4"	90	135	13	80	14.5	27.2	2.3
25	1"	110	180	17.5	110	16	33.9	3.6
32	1 1/4"	127	213	22.5	130	17.5	42.7	5.5
40	1 1/2"	155	248	29.5	130	19	48.8	7.3
50	2"	170	257	35	180	22	61.2	10.5

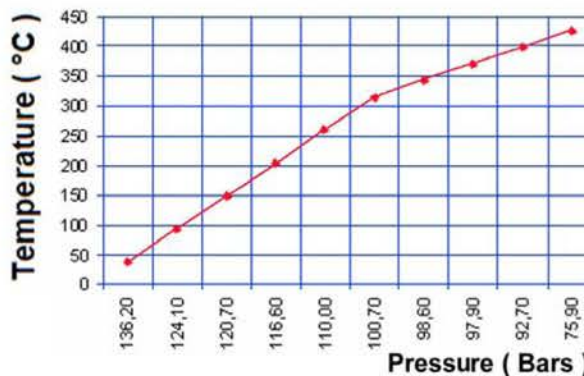
WORKING CONDITIONS

Maximum working pressure : 136 bar.
 Maximum working temperature : -29°C/+425°C.

STANDARDS

Fabrication according to **ISO 9001 : 2008**
 DIRECTIVE 2014/68/UE
 Risk category III module H
 Designing according to **ISO 15761** and **API 602 8th**
 Tests according to **API 598**.
 Approval certificate Russian Federation **GOST-R**
 Valves approved by the main oil industries
 ATEX Group II Category 2 G/2D Zone 1 & 21 Zone 2 & 22.
 Socket welding (SW) connection.

PRESSURE / TEMPERATURE GRAPH



TECOFI France - 83, Rue Marcel Mérieux 69960 Corbas - FRANCE
 Tél. +33 (0) 4 72 79 05 79 - Fax +33 (0) 4 78 90 19 19 / +33 (0) 4 72 79 05 70
 Adresses e-mail : sales@tecofi.fr ; tecofi@tecofi.fr / Site web : www.tecofi.fr

The photographs and technical art works are not contractual. The specifications of the presented products are open to modifications without previous advice.