

Ref. : RAS5743NPT

Rev. : Initial

Date : 13/01/2015

Page : 1/1

FORGED GLOBE VALVE WELDED BONNET 800LBS

RAS 5743NPT



Tecofi
VALVE DESIGNER - FRANCE

APPLICATION

General use: Petroleum industry, steam, high pressure.

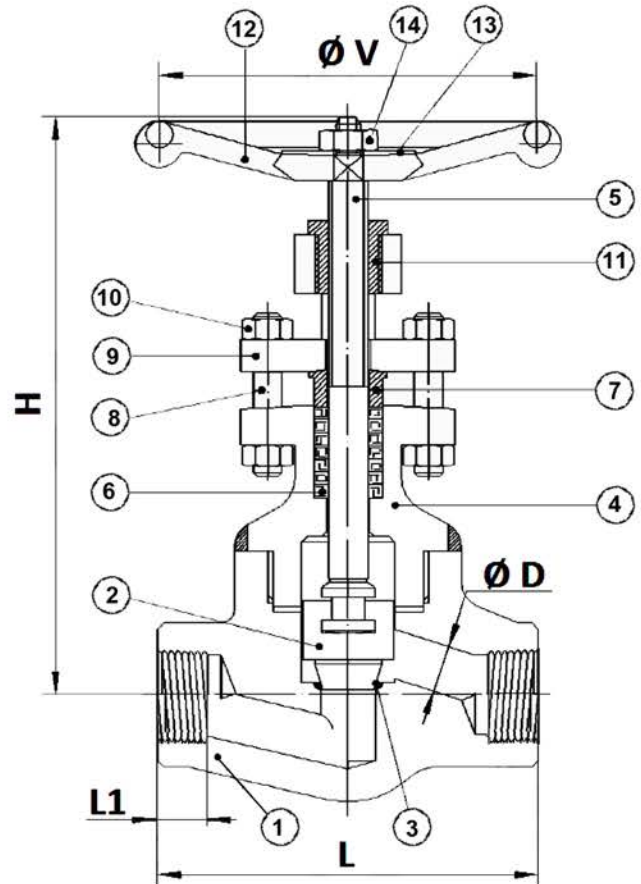
GENERAL CHARACTERISTICS

Respect the flow direction (indicated by the arrow)
Standard bore
Rising rotating stem (OS&Y)
Welded bonnet
Bolted gland pack
Forged carbon steel A105N
Full stellite (Trim 5)
800 lbs



CONSTRUCTION

14	Handwheel nut	Carbon steel
13	ID plate	Aluminium
12	Handwheel	Carbon steel
11	Yoke nut	Steel ASTM A473 type 416
10	Gland nut	Steel ASTM A194 2H
9	Gland flange	Steel ASTM A105
8	Packing tie rod	UNS S41000
7	Gland	UNS S41000
6	Packing	Graphite
5	Stem	SS ASTM A276 type 410
4	Bonnet	Steel ASTM A105N
3	Seat	Stellite GR. 6'
2	Disc	Steel ASTM A182 F6a stellite
1	Body	Steel ASTM A105N
Pos.	Description	Material



DIMENSIONS

DN		L	H (opened)	ØD	ØV	L1	Weight (kg)
mm	inch						
15	1/2"	80	148	9	80	15	1.7
20	3/4"	90	135	13	80	18	2.3
25	1"	110	180	17.5	110	19	3.6
32	1"1/4	127	213	22.5	130	20	5.5
40	1"1/2	155	248	29.5	130	21	7.3
50	2"	170	257	35	180	21	10.5

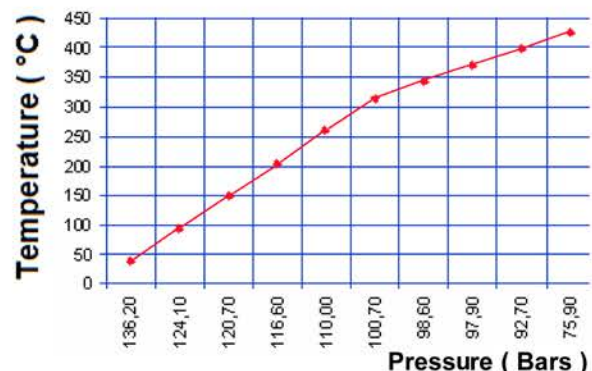
WORKING CONDITIONS

Maximum working pressure : 136 bar.
Maximum working temperature : -29°C/+425°C.

STANDARDS

Fabrication according to **ISO 9001 : 2008**
DIRECTIVE 2014/68/UE
Risk category III module H
Designing according to **ISO 15761** and **API 602 8th**
Tests according to **API 598**.
Approval certificate Russian Federation **GOST-R**
Valves approved by the main oil industries
ATEX Group II Category 2 G/2D Zone 1 & 21 Zone 2 & 22.
Threaded female NPT ends according to **ANSI B1.20.1**

PRESSURE / TEMPERATURE GRAPH



TECOFI France - 83, Rue Marcel Mérierx 69960 Corbas - FRANCE
Tél. +33 (0) 4 72 79 05 79 - Fax +33 (0) 4 78 90 19 19 / +33 (0) 4 72 79 05 70
Adresses e-mail : sales@tecofi.fr ; tecofi@tecofi.fr / Site web : www.tecofi.fr