

Ref. : RAP5883BSP

Rev. : Initial

Date : 15/01/2015

Page : 1/1

FORGED CARBON STEEL NEEDLE VALVE 3000Psi

RAP 5883BSP



APPLICATION

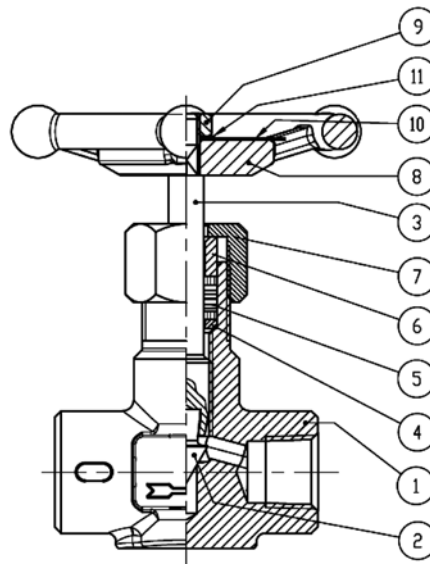
General use: Petroleum industry, steam, high pressure.

GENERAL CHARACTERISTICS

Respect the flow direction (indicated by the arrow)
Standard port
Rising rotating stem
Monobloc
Carbon steel
3000 Psi type

CONSTRUCTION

11	Washer	Steel
10	Name plate	Aluminium
9	Handwheel nut	Steel
8	Handwheel	Steel ASTM A105N
7	Yoke nut	Stainless steel 410
6	Packing gland	Stainless steel 410
5	Packing	Graphite
4	Ring	Stainless steel 410
3	Stem	Stainless steel 410
2	Needle	Stainless steel 410 hardened
1	Body	Steel ASTM A105N
Pos.	Description	Material



DIMENSIONS

DN		L	H (opened)	ØD	ØB	L1	Weight (kg)
mm	inch						
8	1/4"	60	85	4	78	11	0.65
10	3/8"	60	85	5	78	11	0.64
15	1/2"	70	98	6	78	14	0.83
20	3/4"	75	112	7	78	15	1.04
25	1"	90	134	8.5	98	20	1.96

FLOW COEFFICIENT Kvs (M3/h)

DN		Turn numbers									
mm	inch	0	0.5	1	2	3	3.5	4	4.75	5	6
8	1/4"	0	0.17	0.26	0.35	0.38	0.43				
10	3/8"	0	0.22	0.32	0.42	0.48	0.54				
15	1/2"	0	0.39	0.60	0.78	0.86	0.86	0.86	0.90		
20	3/4"	0	0.45	0.67	1.13	1.28	1.34	1.36	1.38	1.39	1.39
25	1"	0	0.52	0.78	1.30	1.47	1.51	1.56	1.58	1.60	1.60

WORKING CONDITIONS

Maximum working pressure : 200 bar at 20°C.
Maximum working temperature : -46°C/+250°C.

STANDARDS

Fabrication according to ISO 9001 : 2008.
DIRECTIVE CEI D1 BVO : Concerned by article 3, § 3.
Threaded BSP cylindrical female ends according to ISO 7/1 Rp.
ATEX Group II Category 2 G/2D Zone 1 & 21 Zone 2 & 22.

