

SYMETRICAL COUPLING

TECHNICAL PASSEPORT

BW COUPLING WITH LOCK

RACC6145

APPLICATION

Irrigation, fire, petroleum industry, construction, etc.



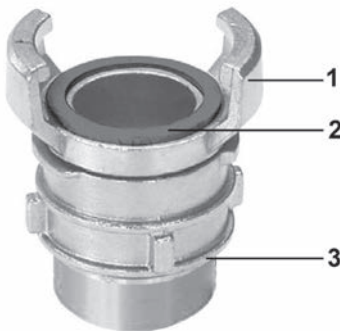
Fluids : clear water, hydrocarbons, compatible liquids.

GENERAL CHARACTERISTICS

Range : from DN 15 to DN100.
Stainless steel ASTM A351 CF8M couplings
FKM gasket According to NF-E 29572

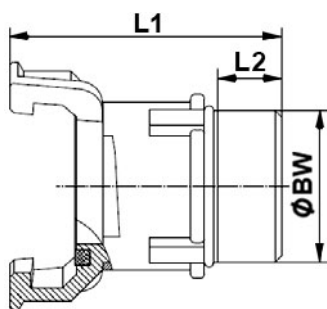


CONSTRUCTION



Pos.	Description	Material
1	Body	Stainless steel ASTM A351 CF8M
2	Gasket	FKM
3	Snap ring	Stainless steel 304

DIMENSIONS



DN		L1	L2	Ø BW	Poids (kg)
mm	inch				
15	1/2"	46.5	10.5	21	0.09
20	3/4"	52.7	12	26.7	0.14
25	1"	56.5	15	33.4	0.18
32	1 1/4"	66	13	42.2	0.3
40	1 1/2"	69.5	16	48	0.35
50	2"	84.5	18	60	0.67
65	2 1/2"	86	20	75	0.84
80	3"	99	24	88	1.34
100	4"	108	26	113	2.15

WORKING CONDITIONS

Maximum working pressure : 16 bar
Maximum working temperature: -10°C / 180°C



Tecofi France

83 rue Marcel Mérieux - 69960 Corbas
Tél. +33 (0)4 72 79 05 79 - Fax. +33 (0)4 78 90 19 19
E-mail : sales@tecofi.fr - www.tecofi.fr

