

Ref. : V5262
 Rev. : Initial
 Date : 22/01/2015
 Page : 1/1

FLANGED STEEL GLOBE VALVE WITH BOLTED BONNET 300LBS

R5262



APPLICATION

General use: Water distribution, gas oil, steam, petrochemical, petroleum industry, gas.

GENERAL CHARACTERISTICS

Full bore
 Rising rotating stem
 Rising handwheel
 Respect the flow direction indicated by the arrow
 Flanges R.F. ISO PN50 ANSI 300
 Carbon steel
 Bolted bonnet and gland pack
 ½ stellite (Trim 8 , seat with stellite)
 Grey painting RAL 7001 color, 60 µm thickness

CONSTRUCTION

12	Handwheel	Cast iron
11	Stem nut	Aluminium + Bronze
10	Bonnet	ASTM A216 WCB
9	Packing	Flexible graphite
8	Back seat bushing	ASTM A276-420
7	Bonnet gasket	Stainless steel 304 + graphite
6	Nut	ASTM A194 Gr 2H
5	Tie rod	ASTM A193 Gr B7
4	Stem	ASTM A182 F6a
3	Disc	ASTM A105 + 13Cr
2	Seat	Deposited stellite Gr.6
1	Body	Steel ASTM A216 WCB
Pos.	Description	Material

DIMENSIONS

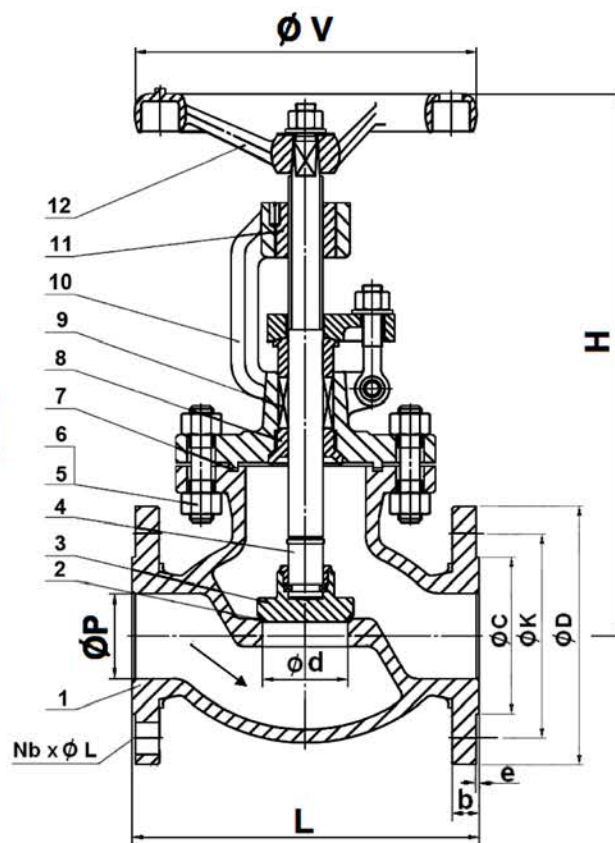
DN		L	H (opened)	H (closed)	ØV	Ød	ØP	ØC	ØK	ØD	Nb x ØL	e	b	Weight (kg)
mm	inch													
50	2"	267	352	335	220	51	51	92.1	127	165	8x19	2	22.7	27
80	3"	318	435	410	280	76	76	127	168.3	210	8x22	2	29	50
100	4"	356	504	470	350	102	102	157.2	200	255	8x22	2	32.2	74
150	5"	444	641	590	400	152	152	215.9	269.9	320	12x22	2	37	138
200	8"	559	768	700	500	203	203	269.9	330.2	380	12x26	2	41.7	240
250	10"	622	1065	980	600	245	254	323.8	387.4	445	16x29	2	48.1	360
300	12"	711	1137	1035	600	290	305	381	450.8	520	16x32	2	51.3	550

WORKING CONDITIONS

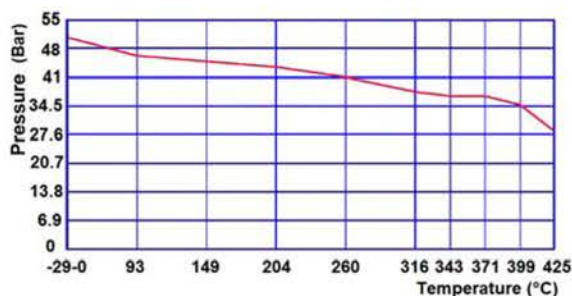
Maximum working pressure : 50 bar.
 Maximum working temperature : -29°C/+425°C.

STANDARDS

Fabrication according to ISO 9001 : 2008
 DIRECTIVE 2014/68/UE
 Risk category III module H
 Designing according to BS 1873
 Tests according to API 598
 Face to face according to ASME B16.10, table 1 A15 series
 Flanges R.F. according to ASME B16.05
 ATEX Group II Category 2 G/2D Zone 1 & 21 Zone 2 & 22
 Approval certificate Russian **GOST-R**



PRESSURE / TEMPERATURE GRAPH



The photographs and technical art works are not contractual. The specifications of the presented products are open to modifications without previous advice.