

Ref. : V5261

Rev. : Initial

Date : 22/01/2015

Page : 1/1

FLANGED STEEL GLOBE VALVE WITH BOLTED BONNET 150LBS

R5261

ISO 9001
BUREAU VERITAS
Certification



ERC



Tecofi'φ

VALVE DESIGNER - FRANCE

APPLICATION

General use: Water distribution, gas oil, steam, petrochemical, petroleum industry, gas.

GENERAL CHARACTERISTICS

Full bore
Rising rotating stem
Rising handwheel
Respect the flow direction indicated by the arrow
Flanges R.F. ISO PN20 ANSI 150
Carbon steel
Bolted bonnet and gland pack
½ stellite (Trim 8 , seat with stellite)
Grey painting RAL 7001 color, 60 µm thickness



CONSTRUCTION

12	Handwheel	Cast iron
11	Stem nut	Aluminium + Bronze
10	Bonnet	ASTM A216 WCB
9	Packing	Flexible graphite
8	Back seat bushing	ASTM A276-420
7	Bonnet gasket	Stainless steel 304 + graphite
6	Nut	ASTM A194 Gr 2H
5	Tie rod	ASTM A193 Gr B7
4	Stem	ASTM A182 F6a
3	Disc	ASTM A105 + 13Cr
2	Seat	Deposited stellite Gr.6
1	Body	Steel ASTM A216 WCB
Pos.	Description	Material

DIMENSIONS

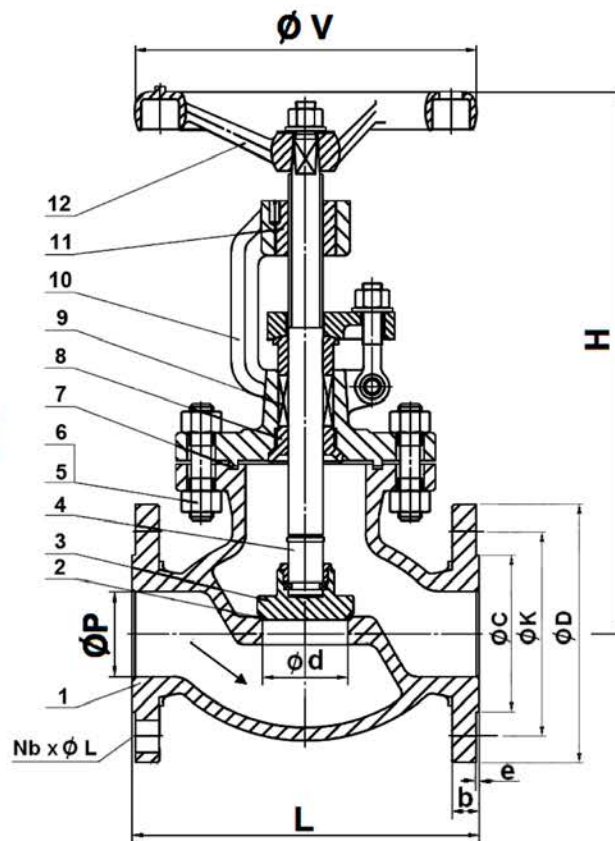
DN	L	H	H	ØV	Ød	ØP	ØC	ØK	ØD	NbxØL	e	b	Weight (kg)
mm	inch	(opened)	(closed)										
50	2"	203	327	310	200	51	51	92.1	120.7	150	4x19	2 16.3	17
80	3"	241	390	365	240	76	76	127	152.4	190	4x19	2 19.5	34
100	4"	292	438	404	280	102	102	157.2	190.5	230	8x19	2 24.3	49
150	5"	406	555	504	350	152	152	215.9	241.3	280	8x22	2 25.9	95
200	8"	495	666	598	400	200	203	269.9	298.5	345	8x22	2 29	160
250	10"	622	925	840	500	245	254	323.8	362	405	12x26	2 30.6	280
300	12"	698	1042	940	600	290	305	381	431.8	485	12x26	2 32.2	380

WORKING CONDITIONS

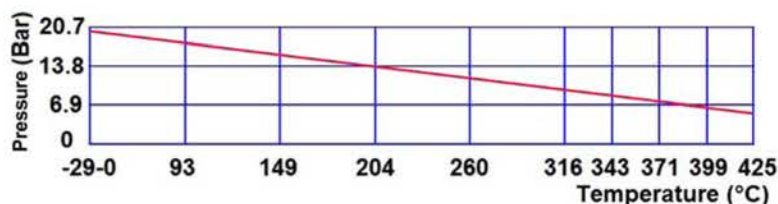
Maximum working pressure : 20 bar.
Maximum working temperature : -29°C/+425°C.

STANDARDS

Fabrication according to ISO 9001 : 2008
DIRECTIVE 2014/68/UE
Risk category III module H
Designing according to BS 1873
Tests according to API 598
Face to face according to ASME B16.10, table 1 A15 series
Flanges R.F. according to ASME B16.05
ATEX Group II Category 2 G/2D Zone 1 & 21 Zone 2 & 22
Approval certificate Russian **GOST-R**



PRESSURE / TEMPERATURE GRAPH



TECOFI France - 83, Rue Marcel Mérieux 69960 Corbas - FRANCE
Tél. +33 (0) 4 72 79 05 79 - Fax +33 (0) 4 78 90 19 19 / +33 (0) 4 72 79 05 70
Adresses e-mail : sales@tecofi.fr ; tecofi@tecofi.fr / Site web : www.tecofi.fr