

Ref. : R 5260 pas

Rev. : A

Date : 14/02/2020

Page : 1/1

FLANGED TYPE GLOBE VALVE PN40

R 5260



APPLICATION

General use : common fluids of 2nd group.

GENERAL CHARACTERISTICS

From DN15 to DN200.
The flow direction is indicated by the arrow on the body.
Rising rotating stem and handwheel.
Bolted bonnet and gland pack.
Stem and seat in stainless steel.

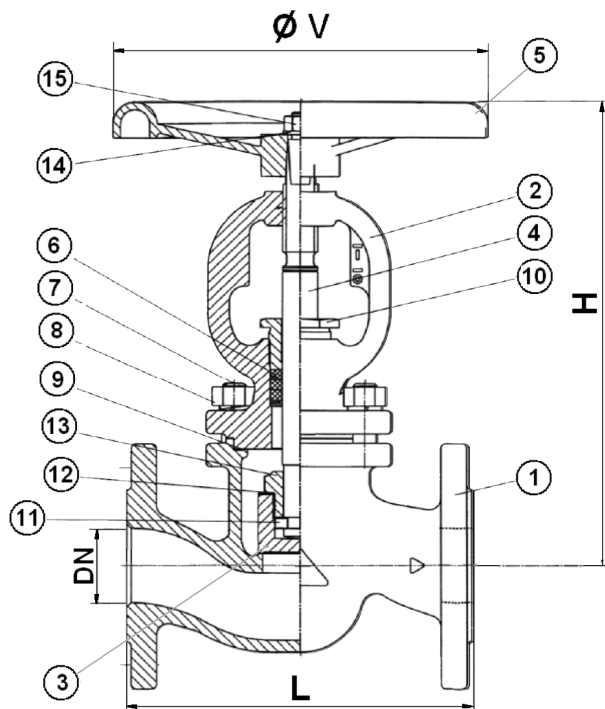
CONSTRUCTION

15	Handwheel nut	Carbon steel + zinc galvanised
14	Handwheel washer	Carbon steel + zinc galvanised
13	Screw	Stainless steel 420 (1.4021)
12	Washer	Stainless steel 321 (1.4541)
11	Ring	Stainless steel 420 (1.4021)
10	Gland	Carbon steel 11SMnPb30 (1.4021)
9	Bonnet gasket	Graphit + NiCr
8	Nut	Carbon steel C35 (1.1181)
7	T box	Carbon steel 42CrMo5 (1.7233)
6	Gland pack	Graphit
5	Handwheel	Ductile iron EN-GJS-400-18-LT
4	Stem	Stainless steel 420 (1.4021)
3	Disc	Stainless steel 420 (1.4021)
2	Bonnet	Carbon steel A216 WCB (1.0619)
1	Body	Carbon steel A216 WCB (1.0619)
Pos.	Description	Material



DIMENSIONS

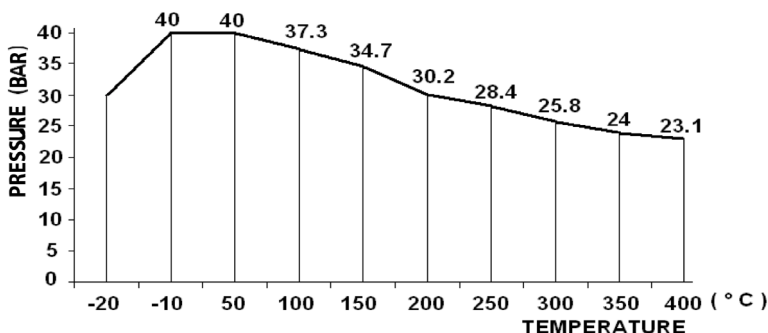
DN		L	H (closed)	H (opened)	ØV	Weight (kg)
mm	inch					
15	1/2"	130	189	195	120	4,40
20	3/4"	150	189	195	120	5,20
25	1"	160	189	195	120	5,72
32	1 1/4"	180	220	230	160	11,27
40	1 1/2"	200	220	230	160	12,23
50	2"	230	295	311,5	195	15,48
65	2 1/2"	290	295	311,5	195	28,00
80	3"	310	368	393	280	36,00
100	4"	350	368	393	280	50,00
125	5"	400	523	563	350	73,60
150	6"	480	523	563	350	95,00
200	8"	600	576	668	400	175,00



WORKING CONDITIONS

Maximum working temperature : -20°C / +400°C

Maximum working pressure:



Maximum working pressure for steam : 10 bar

STANDARDS

Fabrication according to ISO 9001 :2008
Tests according to EN 12266-1
Face to face according to EN 558 series 1 (DIN 3202 F1).
Flanges R.F. according to EN 1092-1 PN40.

TECOFI France - 83, Rue Marcel Mérieux 69960 Corbas - FRANCE
Tél. +33 (0) 4 72 79 05 79 - Fax +33 (0) 4 78 90 19 19 / +33 (0) 4 72 79 05 70
Adresses e-mail : sales@tecofi.fr ; tecofi@tecofi.fr / Site web : www.tecofi.fr