

Ref. : R 3243.pas

Rev. : B

Date : 14/02/2020

Page : 1/1

FLANGED TYPE GLOBE VALVE

R 3243



Tecofi'
VALVE DESIGNER - FRANCE



APPLICATION

- General use : for all common fluids.

GENERAL CHARACTERISTICS

- From DN 15 to DN 200.
Flow direction indicated by the arrow on the body.
Rising rotating stem and handwheel.
Bolted bonnet and gland packing.
R.F. ISO PN16 flange .

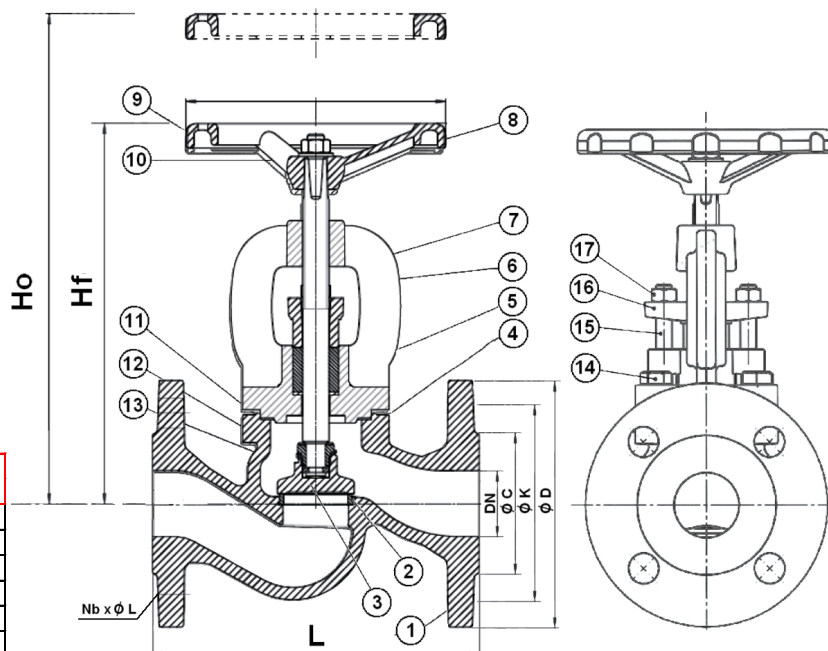
CONSTRUCTION

17	Gland nut	Galvanized steel
16	Gland	Cast iron EN GJL-250
15	T bolt	Galvanized steel 5.8
14	Hexagonal bolt	Steel 8.8
13	Ring	Stainless steel 420 (1.4021)
12	Disc washer	Stainless steel 321 (1.4541)
11	Disc screw	Stainless steel 420 (1.4021)
10	Washer	Galvanized steel
9	Handwheel nut	Galvanized steel
8	Handwheel	Ductile iron EN GJS-500-7
7	Bonnet	Cast iron EN GJL-250
6	Stem	Stainless steel 420 (1.4021)
5	Gland packing	Graphite
4	Seal gasket	Graphite + NiCr
3	Disc	Stainless steel 420 (1.4021)
2	Seat	Stainless steel 410 (1.4006)
1	Body	Cast iron EN GJL-250
Pos.	Description	Material



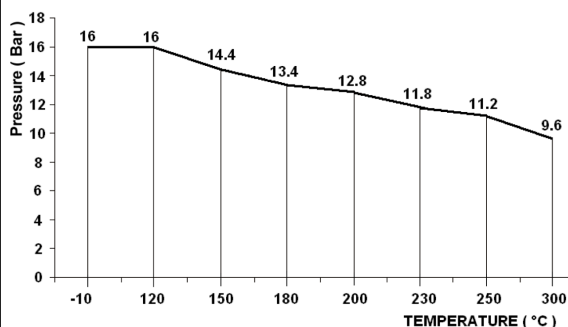
DIMENSIONS

DN		L	Ho	Hf	ØB	ØD	ØK	ØC	NxØL	Weight (kg)
mm	inch									
L5	1/2"	130	193	178	100	95	65	46	4xØ14	3.3
20	3/4"	150	194	180	100	105	75	56	4xØ14	3.9
25	1"	160	203	188	120	115	85	65	4xØ14	5
32	1 1/4"	180	212	191	120	140	100	76	4xØ19	6.6
40	1 1/2"	200	263	235	160	150	110	84	4xØ19	9.5
50	2"	230	273	238	160	165	125	99	4xØ19	12
65	2 1/2"	290	305	270	180	185	145	118	4xØ19	17.3
80	3"	310	344	297	200	200	160	132	8xØ19	22.7
100	4"	350	378	344	250	220	180	156	8xØ19	35.8
125	5"	400	420	375	250	250	210	184	8xØ19	52.8
150	6"	480	483	429	320	285	240	211	8xØ23	72.5
200	8"	600	606	525	360	340	295	266	12xØ23	126



WORKING CONDITIONS

Maximum working pressure : 16 bar
(Maximum 10 bar for steam)
maximum working temperature: -10°C / +300°C



STANDARDS

Face to face according to EN 558-1 série 1 and DIN 3202/F1.
Test procedures are established according to standard EN 12266-1, DIN 3230, BS 6755 et ISO 5208 :

- Body : 24 bar
- Seat : 17.6 bar

Flanged drilled according to EN 1092-2 : ISO PN16.

TECOFI France - 83, Rue Marcel Mérieux 69960 Corbas - FRANCE
Tél. +33 (0) 4 72 79 05 79 - Fax +33 (0) 4 78 90 19 19 / +33 (0) 4 72 79 05 70
Adresses e-mail : sales@tecofi.fr ; tecofi@tecofi.fr / Site web : www.tecofi.fr