

Ref. : R 2145.pas

Rev. : Initial

Date : 16/01/2018

Page : 1/1

GLOBE VALVE WITH UNION BONNET PN25 R 2145



APPLICATION

General use : compatible current fluid.

GENERAL CHARACTERISTICS

Control valve
Range : From DN8 to DN50
Rising rotating stem and handwheel
Bronze body and union bonnet
PTFE valve
PTFE packing
Direction of passage to respect

CONSTRUCTION

5	1	Gasket bonnet	Graphite
4	1	Stem	Brass
3	1	Disc	PTFE
2	1	Bonnet	Brass
1	1	Body	Bronze ASTM B 62
Pos	Qty	description	Material

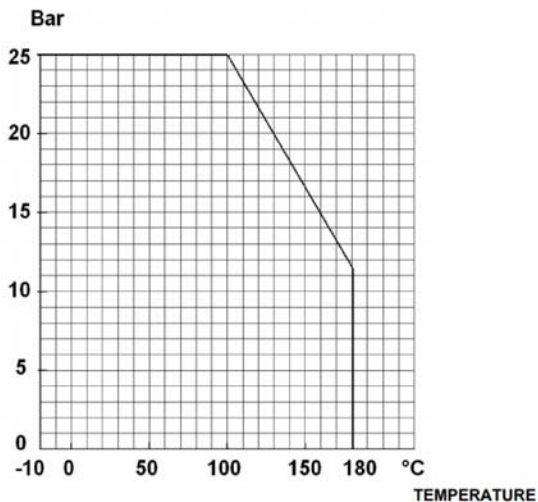
DIMENSIONS

DN		L	H	Ø D	Ø P	weight/ (kg)
mm	inch					
8	1/4"	46	86	50	10.8	0.27
12	3/8"	46	86	50	10.8	0.28
15	1/2"	56	105	55	12.5	0.36
20	3/4"	62	128	60	18	0.65
25	1"	74	143	70	20	0.90
32	1"1/4"	91	165	80	30	1.42
40	1"1/2"	100	180	80	30	1.79
50	2"	128	210	95	37	2.98

WORKING CONDITIONS

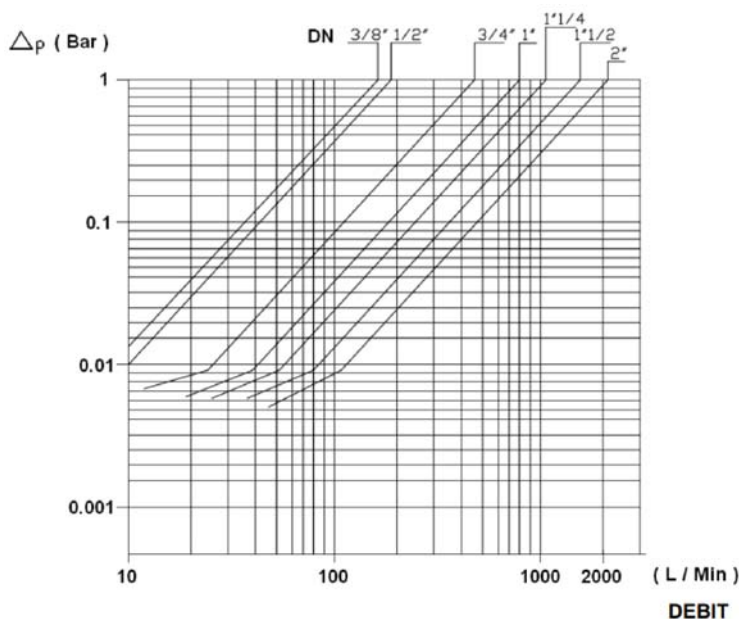
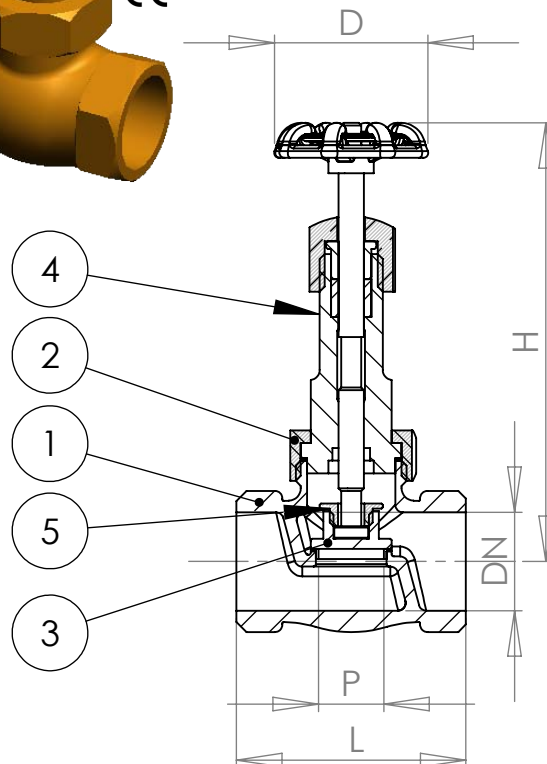
Maximum working pressure : 25 bar.
Maximum temperature : -10°C/ +180°C.

PRESSION



AGREEMENT AND STANDARDS

Manufacture according to the requirements of the European directive 97/23/CE «Equipments under pressure» : fluids category III modulate H.
Threaded female BSP cylindrical according to ISO 228-1



TECOFI France - 83, Rue Marcel Mérioux 69960 Corbas - France
Tél. +33 (0)4 72 79 05 79 - Fax +33 (0)4 78 90 19 19 / +33 (0)4 72 79 05 79
Adresses e-mail: sales@tecofi.fr; tecofi@tecofi.fr / site web: www.tecofi.fr

The photographs and technical artworks are not contractual. The specification of the presented products are open to modifications without previous advice.