

AIR RELEASE VALVE TRIPLE FUNCTION

TECHNICAL PASSPORT

AIR RELEASE VALVE TRIPLE FUNCTION FOR SEWAGE PN16

PVTU4240

APPLICATION

The TECOFI triple function air release valve is used to protect installations against overpressure and underpressure. It ensures the evacuation or supply of large volumes of air and also the elimination of air pockets under pressure.

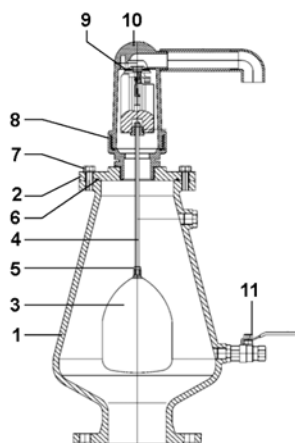


Fluids: water, waste water, compatible liquids.

GENERAL CHARACTERISTICS

Conical shaped body with flange ends
 Powder epoxy coated body - 250µ thickness DIN 30677
 Flange connection PN16 according to BS 4504 and DIN 2501.
 With drain ball valve

CONSTRUCTION



| Pos. | Description | Material | Equivalences | | |
|------|---------------|------------------------------|---------------|----------------|----------------|
| | | | DIN | ASTM | BS |
| 1 | Body | Ductile iron EN-GJS-400-15 | GGG40 | A536 65-45-12 | 1563 EN-JS1030 |
| 2 | Cover | Ductile iron EN-GJS-400-15 | GGG40 | A536 65-45-12 | 1563 EN-JS1030 |
| 3 | Ball | Stainless steel X5CrNi 18-10 | X5CrNiMo18 10 | A 182 AISI 316 | 1449-2 316 S16 |
| 4 | Stem | X20 Cr13 | | | |
| 5 | Nut | Stainless steel X5CrNi 18-10 | X5CrNi 18 10 | A 182 AISI 304 | 1449-2 304 S15 |
| 6 | O ring | NBR | | | |
| 7 | Screw | Stainless steel X5CrNi 18-10 | X5CrNi 18 10 | A 182 AISI 304 | 1449-2 304 S15 |
| 8 | Adapter | PVC | | | |
| 9 | Gasket | EPDM | | | |
| 10 | Adapter cover | PVC | | | |
| 11 | Ball valve | Brass | | | |

PRODUCT APPROVALS



Tecofi France

83 rue Marcel Mérieux - 69960 Corbas
 Tél. +33 (0)4 72 79 05 79 - Fax. +33 (0)4 78 90 19 19
 E-mail : sales@tecofi.fr - www.tecofi.fr

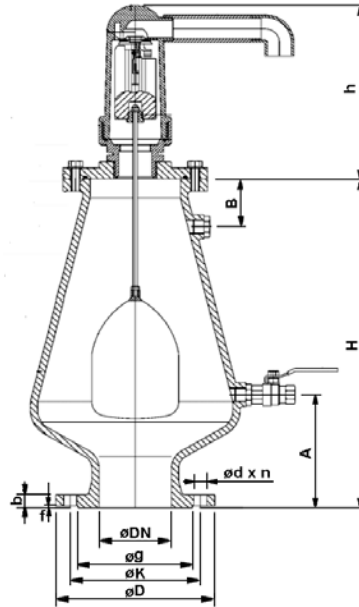


AIR RELEASE VALVE TRIPLE FUNCTION

TECHNICAL PASSPORT

PVTU4240

DIMENSIONS



| DN | | H | h | A | B | øD | øK | øg | b | ød | n | f | Weight (kg) |
|-----|------|-----|-----|-----|----|-----|-----|-----|----|----|----|---|-------------|
| mm | inch | | | | | | | | | | | | |
| 50 | 2" | 480 | 253 | 165 | 70 | 165 | 125 | 99 | 19 | 19 | 4 | 3 | 36 |
| 80 | 3" | 480 | 253 | 165 | 70 | 200 | 160 | 132 | 19 | 19 | 8 | 3 | 37 |
| 100 | 4" | 480 | 253 | 165 | 70 | 220 | 180 | 156 | 19 | 19 | 8 | 3 | 38 |
| 150 | 6" | 480 | 253 | 165 | 70 | 285 | 240 | 211 | 19 | 23 | 8 | 3 | 40 |
| 200 | 8" | 480 | 253 | 165 | 70 | 340 | 295 | 266 | 20 | 23 | 12 | 3 | 43 |

WORKING CONDITIONS

Maximum working temperature : -10°C / +80°C
Maximum working pressure : 16 bar

Tecofi France

83 rue Marcel Mérieux - 69960 Corbas
Tél. +33 (0)4 72 79 05 79 - Fax. +33 (0)4 78 90 19 19
E-mail : sales@tecofi.fr - www.tecofi.fr

