

# FLANGED PN25 DOUBLE CHAMBER AIR VALVE

TECHNICAL PASSPORT

## DOUBLE CHAMBER / TRIPLE FUNCTION AIR RELEASE FLANGED PN25

PVT4250

### APPLICATION

The double chamber /triple function air valve is intended for use in clear water supply systems.

It provides the following functions:

1. Disposal of large volumes of air during fill of the pipes of system.
2. The supply of large amounts of air to the system closure during purging of the piping.
3. Rejection of pressurized air pockets during operation.



Fluids : clear water, potable water.



### GENERAL CHARACTERISTICS

Range : from DN40 to DN500.

Body consisting of a chambers containing floats.

Large discharge and intake capacity.

Body coating : epoxy powder paint bonded by electrostatic fusion

(RAL 5005, 250 microns).

### STANDARDS

Connection	Flange assembling PN25 according to EN1092-2, ISO 7005/2 , BS4504.
------------	--

### PRODUCT APPROVALS



### Tecofi France

83 rue Marcel Mérieux - 69960 Corbas  
Tél. +33 (0)4 72 79 05 79 - Fax. +33 (0)4 78 90 19 19  
E-mail : sales@tecofi.fr - [www.tecofi.fr](http://www.tecofi.fr)

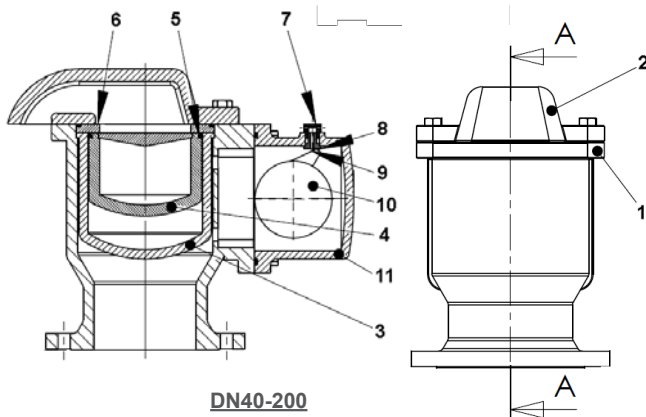


## FLANGED PN25 DOUBLE CHAMBER AIR VALVE

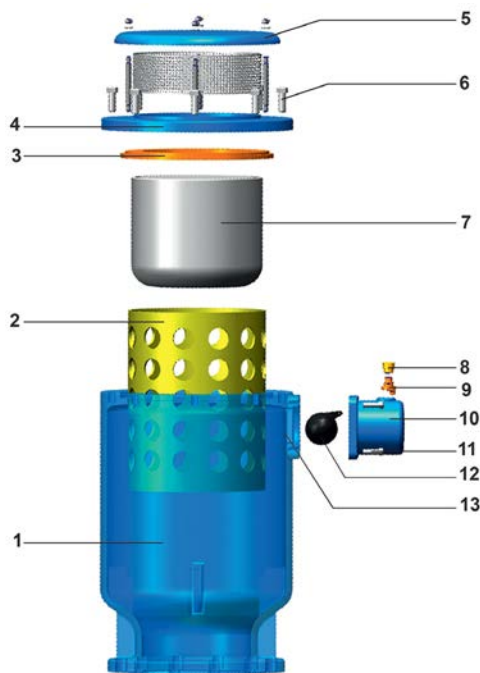
### TECHNICAL PASSPORT

PVT4250

#### CONSTRUCTION



Pos.	Description	Material
1	Body	Ductile iron GGG40
2	Cover	Ductile iron GGG40
3	Cage	Polyamid 6
4	Ball	Polyethylene
5	O-ring	NBR
6	Disc	Brass
7	Orifice cover	Stainless steel 304
8	Support	Brass
9	Sealing gasket	NBR
10	Small ball	Polyethylene
11	Box	Ductile iron GGG40



Pos.	Description	Material
1	Body	Ductile iron GGG40
2	Cage	Polyamid 6
3	Disc	Brass
4	Cover	Ductile iron GGG40
5	Upper cover	Ductile iron GGG40
6	Screw	Galvanized steel 8.8
7	Big ball	Polyethylene
8	Orifice cover	Brass
9	Orifice body	Brass
10	Box	Ductile iron GGG40
11	Screw	Galvanized steel 8.8
12	Ball	Polyethylene
13	Sealing gasket	NBR

**Tecofi France**

83 rue Marcel Mérieux - 69960 Corbas  
Tél. +33 (0)4 72 79 05 79 - Fax. +33 (0)4 78 90 19 19  
E-mail : sales@tecofi.fr - [www.tecofi.fr](http://www.tecofi.fr)

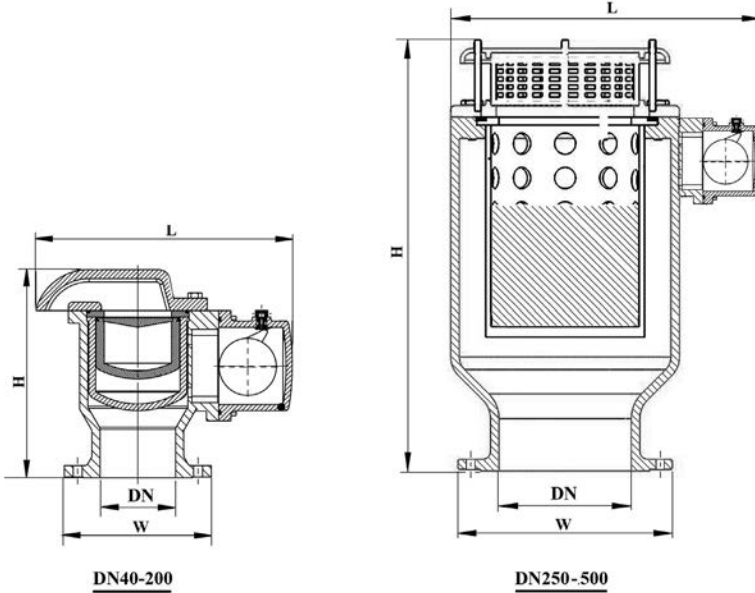


## FLANGED PN25 DOUBLE CHAMBER AIR VALVE

### TECHNICAL PASSPORT

PVT4250

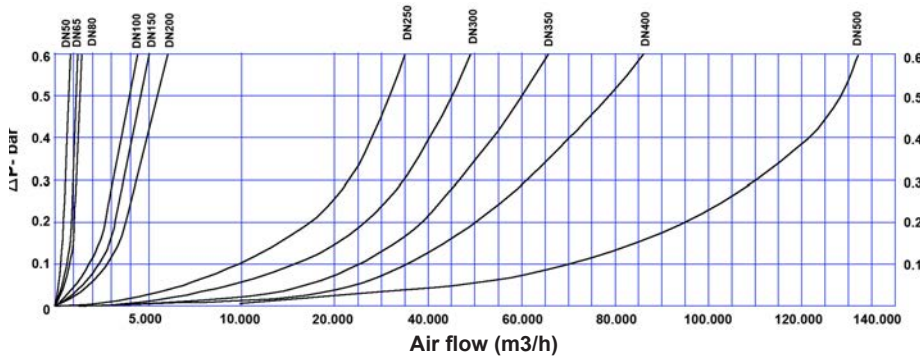
#### DIMENSIONS



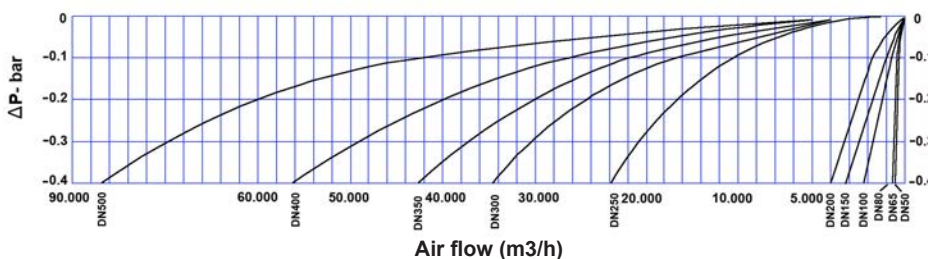
DN		L	H	W	Poids (kg)
mm	inch				
40	1 1/2"	325	255	150	17
50	2"	325	260	165	17
65	2 1/2"	325	260	185	21
80	3"	325	260	200	22
100	4"	370	320	235	34
125	5"	370	320	270	34.5
150	6"	370	320	300	36.5
200	8"	370	450	360	67
250	10"	580	810	425	185
300	12"	700	975	525	205
350	14"	880	1065	615	432
400	16"	910	1220	700	-
500	20"	1135	1525	880	-

#### AIR INFLOW AND OUTFLOW

##### Air outflow



##### Air inflow



#### WORKING CONDITIONS

Maximum working pressure : 25 bar  
 Minimum working pressure : 0.2 bar  
 Maximum working temperature : -10°C / 80°C

#### Tecofi France

83 rue Marcel Mérieux - 69960 Corbas  
 Tél. +33 (0)4 72 79 05 79 - Fax. +33 (0)4 78 90 19 19  
 E-mail : sales@tecofi.fr - [www.tecofi.fr](http://www.tecofi.fr)

