

AIR RELEASE VALVE SINGLE CHAMBER SINGLE FUNCTION PN25

TECHNICAL PASSPORT

AIR RELEASE VALVE SINGLE CHAMBER SINGLE FUNCTION PN25

PVS4250S

APPLICATION

TECOFI air release valves are used to evacuate or purge air pockets located in pipes to improve and secure fluid circulation



Fluids: water, waste water, compatible liquids.

GENERAL CHARACTERISTICS

Range: from DN25 to DN150.

- Powder epoxy coated body - 250µ thickness DIN 30677.
- Flange connection PN25 according to EN 1092-2.
- Air release threaded connection 1"

CONSTRUCTION

Pos.	Description	Material
1	Body	Ductile iron GGG40
2	Bonnet	Ductile iron GGG40
3	Float	ABS
4	Valve outlet	ABS
5	Seat gasket	NBR
6	Plug	ABS
7	O ring	NBR
8	Flange	Ductile iron GGG40

DIMENSIONS

DN mm	A	L	Weight (kg)
25	140	200	6.10
40	140	200	6.80
50	140	200	7.60
40/65	140	200	7.70
80	140	200	9.00
100	140	200	11.00
150	140	200	16.00

WORKING CONDITIONS

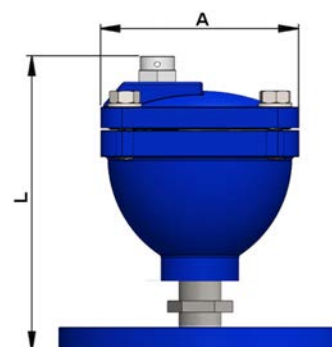
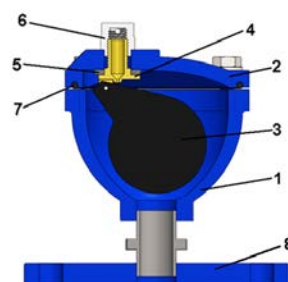
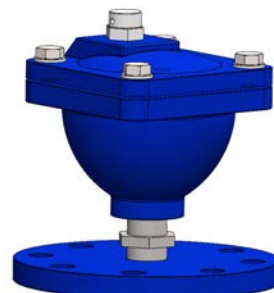
Maximum working temperature : +80°C
Maximum working pressure : 25 bar

PRODUCT APPROVALS



Tecofi France

83 rue Marcel Mérieux - 69960 Corbas
Tél. +33 (0)4 72 79 05 79 - Fax. +33 (0)4 78 90 19 19
E-mail : sales@tecofi.fr - www.tecofi.fr



Flow capacity

