

Ref. : PVS4241.pas

Rev. : Initial

Date : 29/10/2012

Page : 1/1

AIR RELEASE VALVE SINGLE CHAMBER SINGLE FUNCTION PN10/16

PVS 4241



Tecofi 
VALVE DESIGNER - FRANCE

APPLICATION

General use : discharge of the small bubbles of air that are located in the top of the pipes to improve the circulation of the fluid.

GENERAL CHARACTERISTICS

Range : from DN 25 to DN 150.
With ball valve.

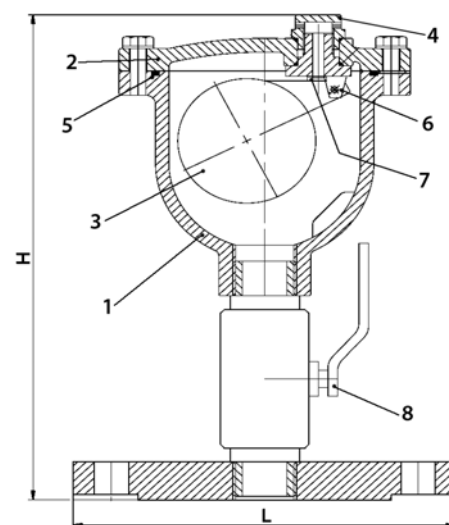
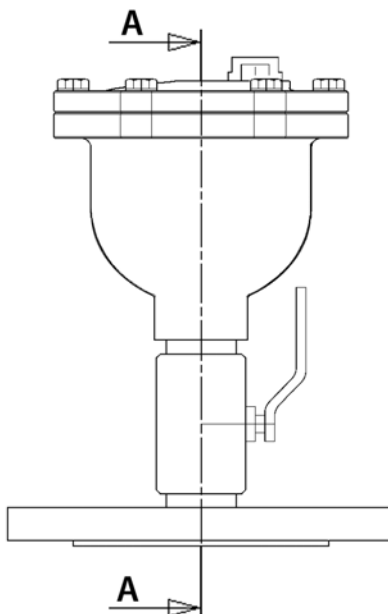
CONSTRUCTION

8	Valve	
7	Sealing	EPDM
6	Pin	SS 304
5	O-ring	EPDM
4	Orifice body	Brass
3	Ball	Foamed polypropylene
2	Cover	Ductile iron GGG 40
1	Body	Ductile iron GGG 40
Pos.	Description	Material



DIMENSIONS

DN		H	L	Weight (kg)
mm	inch			
25	1"	280	115	6,2
40	1"1/2	280	150	7,3
50	2"	280	165	7,8
65	2"1/2	280	185	8,2
80	3"	280	200	10,1
100	4"	280	220	10,4
150	6"	280	285	13,7



WORKING CONDITIONS

Maximum temperature: +80°C.
Maximum working pressure :16 bar.

STANDARDS

Flanged PN10/16 according to EN 1092-2.