

AIR RELEASE VALVE SINGLE CHAMBER DOUBLE FUNCTION PN16

PVD 4240



APPLICATION

General use :

1. Disposal of large volumes of air during fill of the pipes of system.
2. Add great amount of air to the system during the purge of the pipes.

CARACTERISTIQUES GENERALES

Epoxy coating.

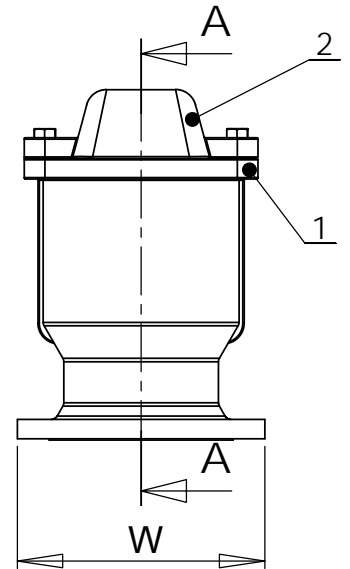
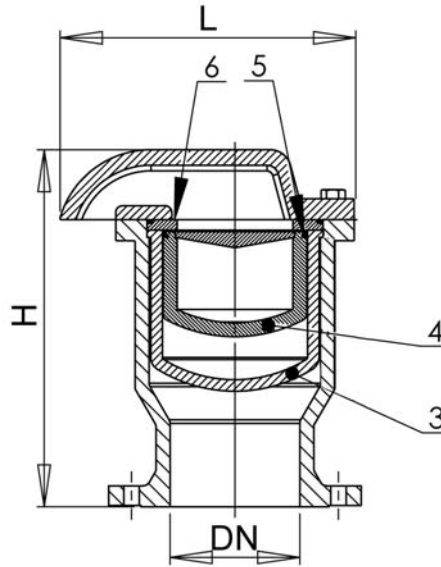
CONSTRUCTION

6	1	Disc	Brass
5	1	O-ring	NBR
4	1	Ball	Foamed polypropylene
3	1	Cage	Polyamide 6
2	1	Cover	Ductile iron GGG40
1	1	Body	Ductile iron GGG40
Pos.	Q-ty	Description	Material



DIMENSIONS

DN		H	L	W	Weight (kg)
mm	inch				
40	1 1/2	255	180	150	10,5
50	2"	260	180	165	10,5
65	2 1/2	260	180	185	12
80	3"	260	180	200	12
100	4"	320	265	220	24
125	5"	320	265	250	26
150	6"	320	265	285	30
200	8"	450	345	340	54
250	10"	810	440	405	175



WORKING CONDITIONS

Maximum temperature : -10°C / +80°C.

STANDARDS

Pressure test according to standard EN 12266-1
Flange connection PN16 according to EN 1092-2

