

Ref. : MUT2500ELPN10

Rev. : A

Date : 19/10/2016

Page : 1/1

PN10 FLANGED TYPE SENSORS WITH CONVERTER MC608 A

MUT2500ELPN10



APPLICATION

These sensors are typically used in the measure of potable or recycled water, industrial waste water, industrial process liquids, mud and concretes.

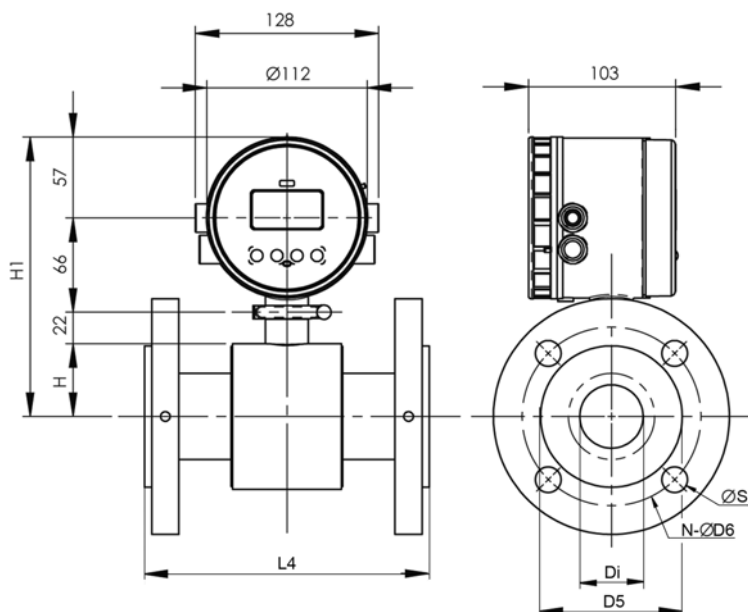
GENERAL CHARACTERISTICS

Range from DN450 to DN2000.
Coupled version with converter MC608 A with LED. 4 standard electrodes in hastelloy C guarantee a wide compatibility with different kind of liquids.
By request they may be supplied in hastelloy B, Titanium, Tantalum or Platinum.
Measurement range of more than 1:1000 without linearization software.
Accurate measures on a wide flow rate range and a lower flow rates.
Carbon steel flange and sensor with acrylic painted external surface.
(Flange and sensor in stainless steel 304 or 316 on request)
PTFE internal lining material on standard from DN15 to DN100 and over by request. Protection IP67. Voltage: 80-265 VAC, output 4-20mA + 485 MODBUS interface IRCOM.



DIMENSIONS

DN		ØD5	L4	J	Di	D6	N	ØS	H	H1
mm	inch									
450	18"	519	450	329.7	441	565	20	26	260	443
500	20"	570	500	355.2	492	620	20	26	285	468
600	24"	684	600	412.2	594	725	20	30	342	525
700	28"	783	700	461.7	695	840	24	30	392	575
800	32"	885	800	512.7	795	950	24	33	443	626
900	36"	996	900	568.2	894	1050	28	33	498	681
1000	40"	1098	1000	619.2	996	1160	28	36	549	732
1200	48"	1312	1200	726.2	1200	1380	32	39	656	839
1400	56"	1512	1400	826.2	1398	1590	36	42	756	939
1500	60"	1612	1500	876.2	1500	-	-	-	806	989
1600	64"	1712	1600	926.2	1596	1820	40	48	856	1039
1800	72"	1922	1800	1031.2	1694	2020	44	48	961	1144
2000	80"	2122	2000	1131.2	1992	2230	48	48	1061	1244



WORKING CONDITIONS

Working pressure : 10 bar.
Maximum temperature : 0°C / + 70°C

STANDARDS

Flange connection ISO PN 10 according to EN 1092-1, ISO 7005-1.