

Ref. : MA 6107.pas

Rev. : Initial

Date : 08/09/2016

Page : 1/1

GAS PRESSURE GAUGE WITH STAINLESS STEEL BOX

MA 6107



APPLICATION

For gaseous and dry fluids that do not attack copper alloy

GENERAL CHARACTERISTICS

- Stainless steel box
- Brass fitting
- With cap for gas
- Millibars graduations
- Dry dial
- 1.6 Class
- Protection IP31
- BSP threaded

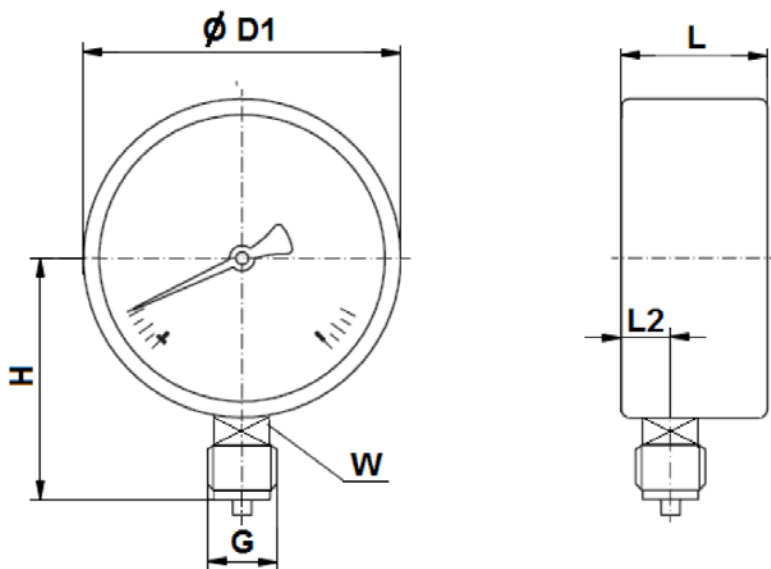
CONSTRUCTION

Needle	Duralumin
Glass	Polycarbonate
Gasket	NBR
Dial	Duralumin
Mechanism	Brass
Fitting	Brass
Box	Stainless steel
Description	Material



DIMENSIONS

DN	L	L2	ØD1	L1	G	H	W	Weight (kg)
63	46.7	9	65	3	1/4	54	14	0.190
100	48.2	17.9	101	14.3	1/2	88	22	0.480



WORKING CONDITIONS

Maximum temperature : 0°C / +60°C.
 Working pressure range: de 0/60 à 0/600 mbar

STANDARDS

Fabrication according to ISO 9001 : 2008
 Designing according to EN 837-3
 DIRECTIVE 97/23/CE : Products excluded from directive (article 3, § 3)
 Threaded male BSP cylindrical ends according to ISO 228-1.

The photographs and technical art works are not contractual. The specifications of the presented products are open to modifications without previous advice.