

Ref. : MA 6106.pas

Rev. : Initial

Date : 08/09/2016

Page : 1/1

# GAS PRESSURE GAUGE WITH STAINLESS STEEL BOX

## MA 6106



### APPLICATION

For gaseous and dry fluids that do not attack copper alloy

### GENERAL CHARACTERISTICS

- Stainless steel box
- Brass fitting
- With cap for gas
- Millibars graduations
- Dry dial
- 2.5 Class
- Protection IP31
- BSP threaded

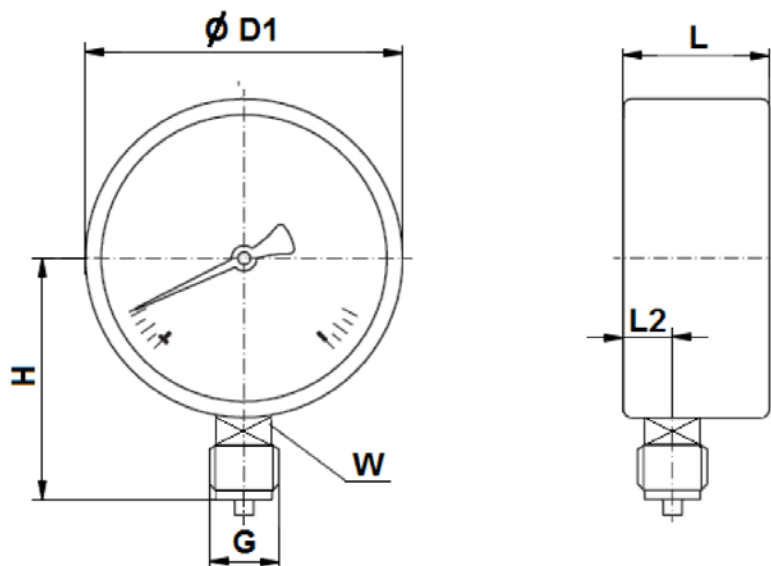


### CONSTRUCTION

Needle	Duralumin
Glass	Acrylic
Gasket	NBR
Dial	Duralumin
Mechanism	Brass
Fitting	Brass
Box	Stainless steel
<b>Description</b>	<b>Material</b>

### DIMENSIONS

DN	L	L2	ØD1	L1	G	H	W	Weight (kg)
63	46.7	9	65	3	1/4	54	14	0.190
100	48.2	17.9	101	14.3	1/2	88	22	0.480



### WORKING CONDITIONS

Maximum temperature : 0°C / +60°C.  
 Working pressure range: de 0/60 à 0/600 mbar

### STANDARDS

Fabrication according to ISO 9001 : 2008  
 Designing according to EN 837-3  
 DIRECTIVE 97/23/CE : Products excluded from directive ( article 3, § 3 )  
 Threaded male BSP cylindrical ends according to ISO 228-1.