

Ref. : MA 5100.pas

Rev. : J

Date : 10/10/2017

Page : 1/1

DRY DIAL PRESSURE GAUGE WITH ABS BOX

MA 5100



APPLICATION

Not for viscous or crystallizing liquid
Hydraulic, heating, compressed air and ship building.

GENERAL CHARACTERISTICS

ABS box
Brass mechanism
Brass fitting
Plexiglas glass
Dry dial
1.6 class.
BSP threaded
Double graduation bar / psi for diameter 63 and 80.



CONSTRUCTION

4	1	Dial	Plastic
3	1	Fitting	Brass
2	1	Needle	Duralumin
1	1	Box	ABS (Ø80) Acier (Ø80-100)
Pos.	Q-ty	Description	Material

DIMENSIONS

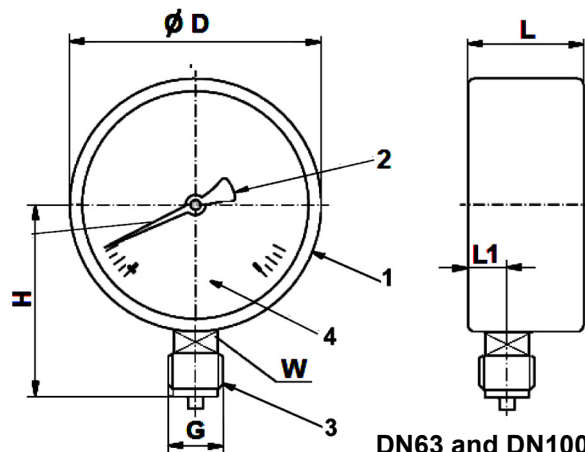
DN	G	H	L	L1	L2	W	D	Weight (kg)
63	1/4"	53.5	28	10	-	14	62.5	0,090
80	1/2"	70.5	32.7	3.5	12.3	22	79.3	0,43
100	1/2"	80.3	34	15	-	22	98.5	0,200

WORKING CONDITIONS

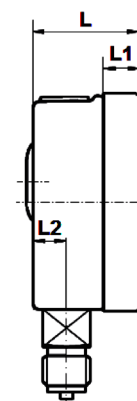
Maximum temperature : 0°C / +60°C.
Working pressure ranges: 0 up to 40 bar
(0-4 / 0-6 / 0-10 / 0-16 / 0-25 / 0-40 bar)

STANDARDS

Fabrication according to ISO 9001 : 2008
Designing according to EN 837-1
DIRECTIVE 97/23/CE : Products excluded from directive (article 3, § 3)
Threaded male BSP cylindrical ends according to ISO 228-1



DN63 and DN100



DN80