

DISMANTLING JOINT

TECHNICAL PASSPORT

PN10 DISMANTLING JOINT

JT4203

APPLICATION

Dismantling joints mounted with flanged shut-off valves facilitate their assembly and disassembly by compensating for the axial movement of the piping.



Fluids : water, waste water, drinking water, compatible fluids, etc.

GENERAL CHARACTERISTICS

Range : from DN200 to DN2000.

Connection PN10.

GEOMET 500® steel tie rods and nuts.

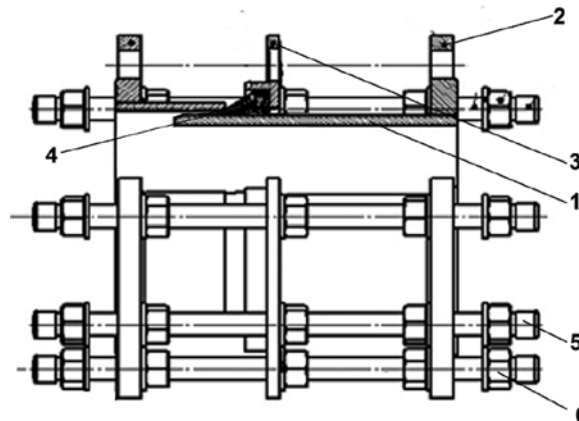
Epoxy coating.

Ajustment of +/-25 mm.



Epoxy coated body according to EN 14901 RAL 5015, 250 µm thickness (WRAS QUALITY)

CONSTRUCTION



| Pos. | Description | Material | Equivalence | | |
|------|--------------------|---------------------------|-------------|---------------|----------|
| | | | DIN | ASTM | BS |
| 1 | Flanged pipe-long | Ductile iron EN-GJS-500-7 | GGG50 | A536 70-50-05 | BS 500/7 |
| 2 | Flanged pipe-short | Ductile iron EN-GJS-500-7 | GGG50 | A536 70-50-05 | BS 500/7 |
| 3 | Retaining flange | Ductile iron EN-GJS-500-7 | GGG50 | A536 70-50-05 | BS 500/7 |
| 4 | Sealing ring | EPDM (WRAS QUALITY) | | | |
| 5 | Stud bolt | Steel 4.8 | GEOMET 500® | | |
| 6 | Nut & tie rods | Steel | GEOMET 500® | | |

PRODUCT APPROVALS



Tecofi France

83 rue Marcel Mérieux - 69960 Corbas
 Tél. +33 (0)4 72 79 05 79 - Fax. +33 (0)4 78 90 19 19
 E-mail : sales@tecofi.fr - www.tecofi.fr

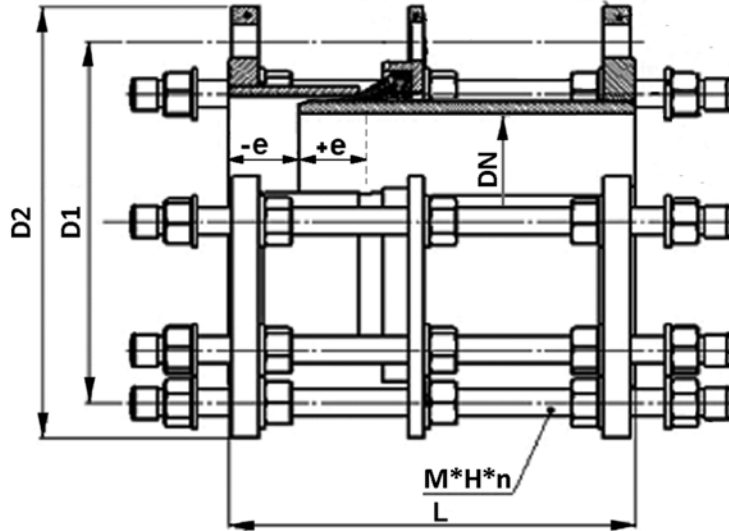


DISMANTLING JOINT

TECHNICAL PASSPORT

JT4203

DIMENSIONS



| DN | | e | L | øD1 | øD2 | M*H*n | FLANGE THICKNESS | Weight (kg) |
|------|------|----|-----|------|------|------------|------------------|-------------|
| mm | inch | | | | | | | |
| 200 | 8" | 25 | 210 | 340 | 295 | M20*350*8 | 16+3 | 39.4 |
| 250 | 10" | 25 | 225 | 400 | 350 | M20*370*12 | 19+3 | 48.4 |
| 300 | 12" | 25 | 240 | 455 | 400 | M20*390*12 | 20.5+3 | 53.5 |
| 350 | 14" | 25 | 240 | 505 | 460 | M20*400*16 | 20.5+3 | 78 |
| 400 | 16" | 25 | 250 | 565 | 515 | M24*420*16 | 20.5+3 | 104 |
| 450 | 18" | 25 | 270 | 615 | 565 | M24*435*20 | 21.5+3 | 138 |
| 500 | 20" | 25 | 270 | 670 | 620 | M24*440*20 | 22.5+3 | 140 |
| 600 | 24" | 25 | 290 | 780 | 725 | M27*460*20 | 25+3 | 167 |
| 700 | 28" | 25 | 300 | 895 | 840 | M27*480*24 | 27.5+3 | 235 |
| 800 | 32" | 25 | 315 | 1015 | 950 | M30*500*24 | 30+3 | 324 |
| 900 | 36" | 25 | 325 | 1115 | 1050 | M30*500*28 | 32.5+3 | 380 |
| 1000 | 40" | 25 | 335 | 1230 | 1160 | M33*545*28 | 35+3 | 481 |
| 1200 | 48" | 25 | 345 | 1455 | 1380 | M36*580*32 | 40+3 | 526 |
| 1400 | 56" | 25 | 355 | 1675 | 1590 | M39*630*36 | 41+3 | 1250 |
| 1500 | 60" | 25 | 375 | 1785 | 1700 | M39*665*36 | 42+3 | 1450 |
| 1600 | 64" | 25 | 375 | 1915 | 1820 | M45*700*40 | 44+3 | 1550 |
| 1800 | 72" | 25 | 395 | 2115 | 2020 | M45*730*40 | 47+3 | 2350 |
| 2000 | 80" | 25 | 415 | 2325 | 2230 | M45*730*48 | 49+3 | 2650 |

WORKING CONDITIONS

Maximum working pressure: 10 bar

Maximum working temperature: +4°C / +110°C

Tecofi France

83 rue Marcel Mérioux - 69960 Corbas

Tél. +33 (0)4 72 79 05 79 - Fax. +33 (0)4 78 90 19 19

E-mail : sales@tecofi.fr - www.tecofi.fr

