

Ref. : JT4202 .pas

Rev. : A

Date : 22/01/2015

Page : 1/1

# DISMANTLING JOINTS PN10

## JT4202



**Tecofi**  
VALVE DESIGNER - FRANCE

### APPLICATION

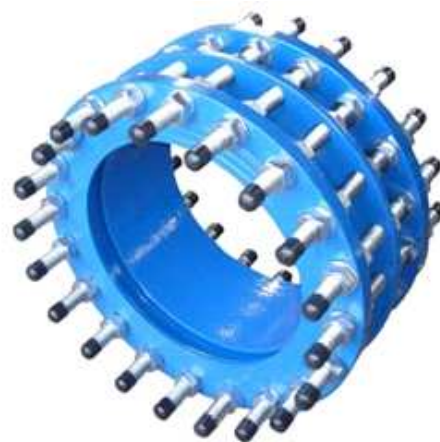
General use : for easy installation and dismantling of valves.

### GENERAL CHARACTERISTICS

Range : from DN 80 up to DN 2600.  
Rigid connection between the connecting pipes.  
Long course.  
PN10.

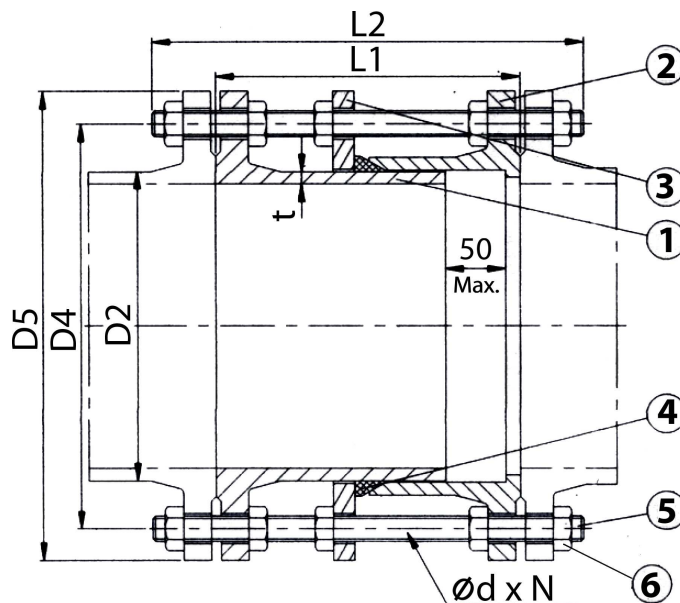
### CONSTRUCTION

6	-	Nut	Zinc plated steel	
5	-	Stud bolt	Zinc plated steel	
4	1	Sealing ring	EPDM	
3	1	Retaining flange	Ductile iron EN-GJS-500-7	DIN: GGG50 ASTM: A536 70-50-05 BS: 500/7
2	1	Flanged pipe - long	Ductile iron EN-GJS-500-7	DIN: GGG50 ASTM: A536 70-50-05 BS: 500/7
1	1	Flanged pipe - short	Ductile iron EN-GJS-500-7	DIN: GGG50 ASTM: A536 70-50-05 BS: 500/7
Pos.	Qty.	Description	Material	



### DIMENSIONS

DN		D2	D4	D5	L1	L2	d	N	t
mm	inch								
80	3"	98	160	200	200	310	16	8	7,0
100	4"	118	180	220	200	310	16	8	7,2
125	5"	144	210	250	200	310	16	8	7,5
150	6"	170	240	285	200	320	20	8	7,8
200	8"	222	295	340	220	340	20	8	8,4
250	10"	274	350	400	230	370	20	12	9,0
300	12"	326	400	455	250	410	20	12	9,6
350	14"	378	460	505	260	410	20	16	10,2
400	16"	429	515	565	270	430	24	16	10,8
450	18"	480	565	615	270	430	24	16	11,4
500	20"	532	620	670	280	440	24	20	12,0
600	24"	635	725	780	300	480	27	20	13,2
700	28"	738	840	895	300	480	27	24	14,4
800	32"	842	950	1015	320	520	30	24	15,6
900	36"	945	1050	1115	320	520	30	28	16,8
1000	40"	1048	1160	1230	340	560	33	28	18,0
1100	44"	1152	1270	1340	340	560	33	32	19,2
1200	48"	1255	1380	1455	360	600	36	32	20,4
1400	56"	1462	1590	1675	380	630	39	36	22,8
1500	60"	1565	1700	1785	400	665	39	36	23,0
1600	64"	1668	1820	1915	400	700	45	40	25,2
1800	72"	1875	2020	2115	420	730	45	44	27,6
2000	80"	2082	2230	2325	440	730	45	48	30,0
2200	88"	2288	2440	2550	450	750	52	52	32,4
2400	96"	2495	2650	2760	460	770	52	56	34,8
2600	104"	2702	2850	2960	500	800	52	60	37



### STANDARDS

Flanges in accordance with ISO 2531 PN10