

Ref. : J7240PN16.pas

Rev. : Initial

Date : 19/03/09

Page : 1/1

FLAT GASKET FOR FLANGE

J7240PN16



Tecofi'
VALVE DESIGNER - FRANCE

APPLICATION

General use : hot and cold water, steam, mineral oils, hydrocarbons, gas...

GENERAL CHARACTERISTICS

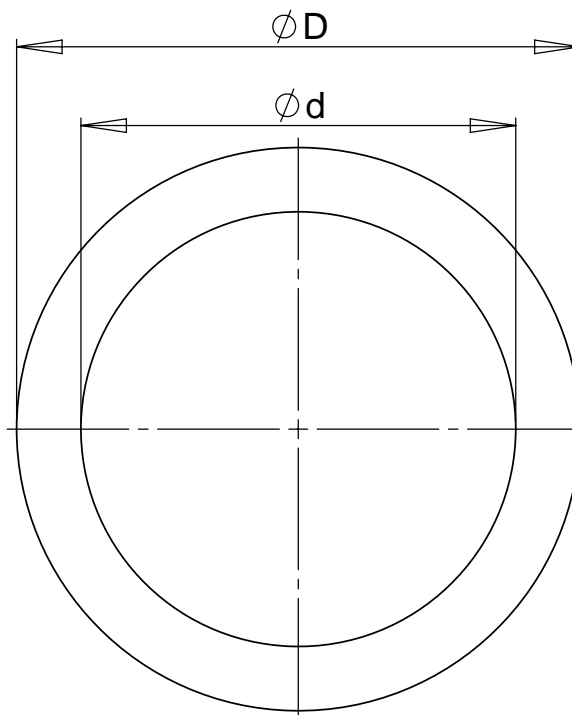
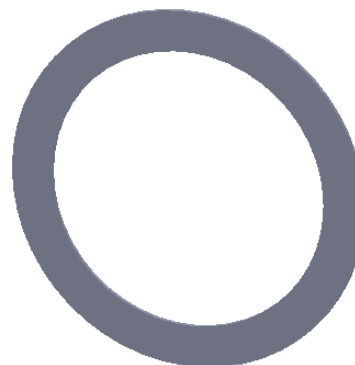
Compressibility : 8%
Recovery : 55%
Specific weight : 1,9g/cm³

CONSTRUCTION

High quality sheet containing mixture of temperature resisting mineral and aramid fibers with a special NBR rubber binder.

DIMENSIONS

DN		Ø D	Ø d
mm	inch		
15	1/2"	51	22
20	3/4"	61	27
25	1"	71	34
32	1"1/4	82	43
40	1"1/2	92	49
50	2"	107	61
65	2"1/2	127	77
80	3"	142	89
100	4"	162	115
125	5"	192	141
150	6"	218	169
200	8"	273	220
250	10"	329	273
300	12"	384	324
350	14"	444	356
400	16"	495	407
450	18"	555	458
500	20"	617	508
600	24"	734	610



WORKING CONDITIONS

Temperature*: -196°C / +400°C
Continuous temperature : +250°C.
Pressure* : 100 bar.

*The maximum temperature and pressure given cannot be associated.

STANDARDS

Gasket according to EN 1514-1 for connecting flange according to standards EN1092-1, EN1092-2, EN1092-3, EN1092-4.