

Ref. : FI5241

Rev. : Initial

Date : 23/01/2015

Page : 1/1

FLANGED STEEL "Y" STRAINER BOLTED BONNET 150LBS

FI5241



APPLICATION

General use: Water distribution, gas oil, steam, petrochemical, petroleum industry, gas.

GENERAL CHARACTERISTICS

Removable stainless steel filter
Flanges R.F. ISO PN20 ANSI 150
Horizontal or vertical position with descendant fluid (respect the flow direction indicated by the arrow)
Mesh 1 mm for DN50 (2"), 1.5 mm from DN65 to 300 (2"1/2 to 12")
Bolted bonnet with draining cap threaded NPT
Grey painting RAL 7001 color, 60 µm thickness

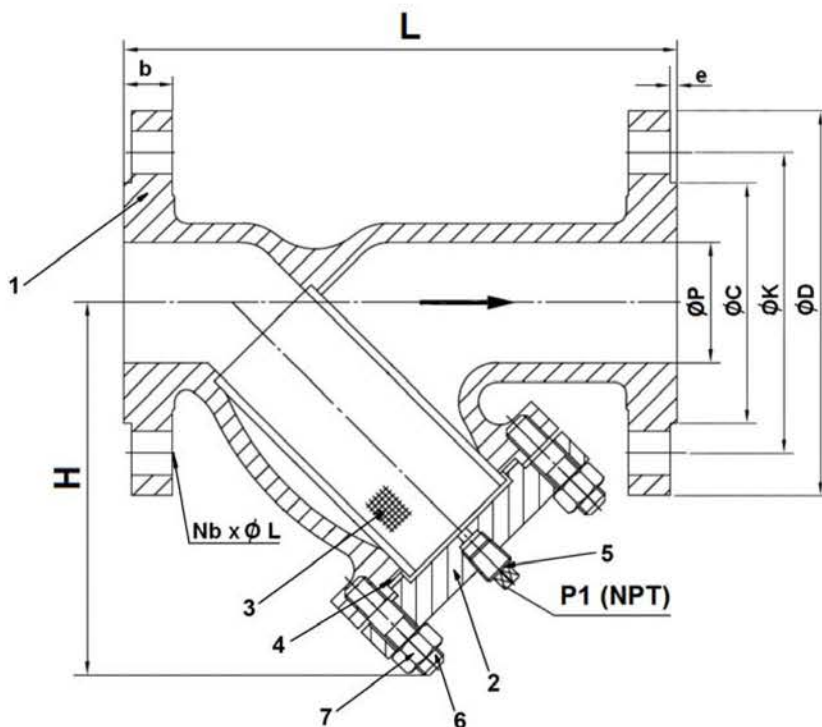


CONSTRUCTION

7	Nut	ASTM A194 Gr. 2H
6	Tie rod	ASTM A193 Gr. B7
5	Drain plug	Steel
4	Bonnet gasket	Graphite + SS 304
3	Screen	Stainless steel 304
2	Bonnet	Steel ASTM A216 WCB
1	Body	Steel ASTM A216 WCB
Pos.	Description	Material

DIMENSIONS

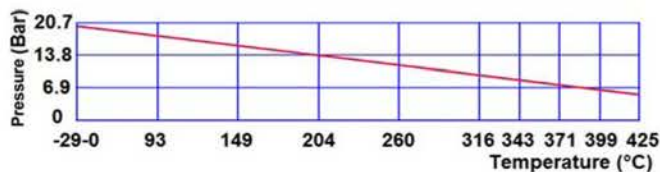
DN		L	H	ØP	P1	Screen			Weight (kg)
mm	inch					H1	Ød	Mesh	
50	2"	203	76	50	1/2"	110	49	1	9.7
65	2"1/2	216	85	65	1/2"	125	55	1.5	23.5
80	3"	241	89	80	1/2"	145	75	1.5	28
100	4"	292	115	100	1/2"	180	90	1.5	37
150	5"	406	140	150	3/4"	255	137	1.5	67
200	8"	495	172	200	3/4"	300	180	1.5	91
250	10"	622	203	250	3/4"	355	233	1.5	135
300	12"	699	242	300	1"	380	255	1.5	168



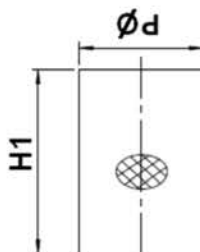
WORKING CONDITIONS

Maximum working pressure : 20 bar.
Maximum working temperature : -29°C/+425°C.

Pressure/temperature rate



Screen dimensions

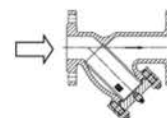
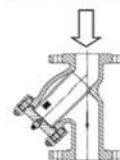


DN		Flange dimensions					
mm	inch	ØC	ØK	ØD	NbxØL	e	b
50	2"	92.1	120.7	150	4x19	2	16.3
65	2"1/2	104.8	139.7	180	4x19	2	17.9
80	3"	127	152.5	190	4x19	2	19.5
100	4"	157.2	190.5	230	8x19	2	24.3
150	5"	215.9	241.5	280	8x22	2	25.9
200	8"	269.9	298.5	345	8x22	2	29
250	10"	323.8	362	405	12x26	2	30.6
300	12"	381	432	485	12x26	2	32.2

STANDARDS

Fabrication according to ISO 9001 : 2008
DIRECTIVE 2014/68/UE
Risk category III module H
Designing according to ASME B16.34
Tests according to API 598
Face to face according to ASME B16.10
Flanges R.F. according to ASME B16.05
Approval certificate Russian **GOST-R**

MOUNTING POSITION



Vertical position
(descendant fluid)

Horizontal position

TECOFI France - 83, Rue Marcel Mérieux 69960 Corbas - FRANCE
Tél. +33 (0) 4 72 79 05 79 - Fax +33 (0) 4 78 90 19 19 / +33 (0) 4 72 79 05 70
Adresses e-mail : sales@tecofi.fr ; tecofi@tecofi.fr / Site web : www.tecofi.fr