

## «Y» STRAINER

### TECHNICAL PASSPORT

#### BSP THREADED «Y» STRAINER STAINLESS STEEL BODY

F 6169

#### APPLICATION

**Area of use:** chemical and pharmaceutical industries, petro-chemical industries, hydraulic installations.



**Fluid:** all compatible liquids

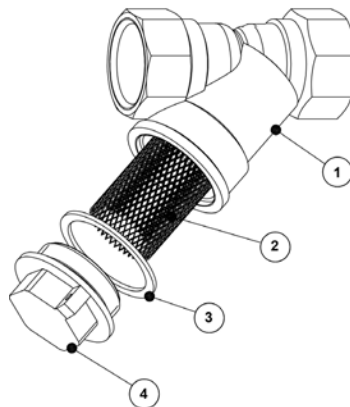
#### GENERAL CHARACTERISTICS

**Range :** DN 1/4" to DN 4".

- Stainless steel removable filter.
- Female / female threaded BSP connection according to ISO 7/1.
- The flow direction is indicated by an arrow on the body
- Mounting on horizontal and vertical position with descending fluid.



#### CONSTRUCTION



Pos.	Description	Material
1	Body	Stainless steel CF8M
2	Tamis	Stainless steel 316
3	Joint	PTFE
4	Bonnet	Stainless steel CF8M

#### PRODUCT APPROVALS



#### Tecofi France

83 rue Marcel Mérieux - 69960 Corbas  
Tél. +33 (0)4 72 79 05 79 - Fax. +33 (0)4 78 90 19 19  
E-mail : sales@tecofi.fr - [www.tecofi.fr](http://www.tecofi.fr)



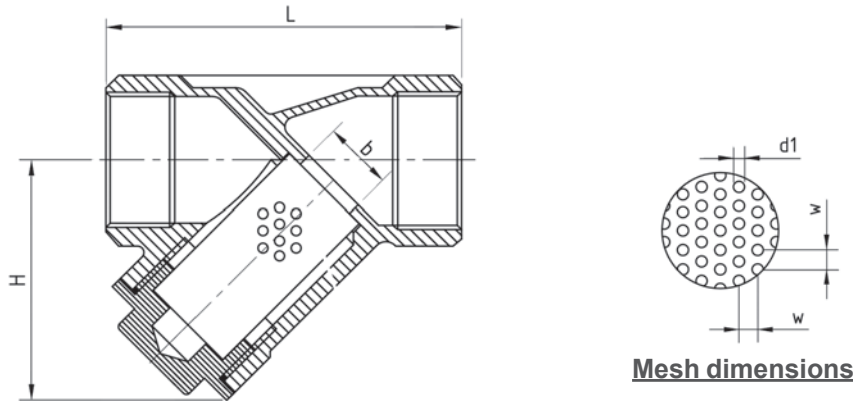
## «Y» STRAINER

### TECHNICAL PASSPORT

#### BSP THREADED «Y» STRAINER STAINLESS STEEL BODY

F 6169

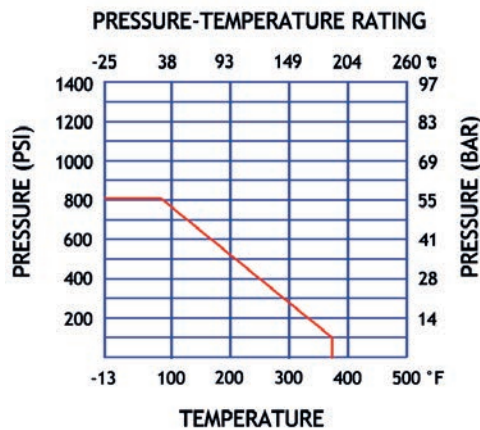
#### DIMENSIONS



Mesh dimensions

DN		d	L	H	W	d1	Weight (kg)
inch	mm						
1/4"	10	10	64	43	2	1	0.20
3/8"	12	12	64	43	2	1	0.20
1/2"	15	15	64	45	2	1	0.21
3/4"	20	20	80	52	2	1	0.34
1"	25	25	90	68	2	1	0.59
1 1/4"	32	32	106	70	2	1	0.80
1 1/2"	40	38	119	80	2	1	1.06
2"	50	50	140	98	2	1	1.61
2 1/2"	65	61	167	117	2	1	2.99
3"	80	75	198	137	2	1	4.74
4"	100	94	238	163	2	1	7.88

#### WORKING CONDITIONS



#### Tecofi France

83 rue Marcel Mérieux - 69960 Corbas  
 Tél. +33 (0)4 72 79 05 79 - Fax. +33 (0)4 78 90 19 19  
 E-mail : sales@tecofi.fr - [www.tecofi.fr](http://www.tecofi.fr)

