

Ref. : F 4260

Rev. : Initial

Date : 05/09/2016

Page : 1/1

FLANGED TYPE "Y" STRAINER PN40

F 4260



APPLICATION

Pumping and water distribution.

GENERAL CHARACTERISTICS

Compact and robust design.
 Ductile iron body and cover.
 Epoxy coating.
 Stainless steel mesh.
 Drain plug.
 Flange connection PN40.

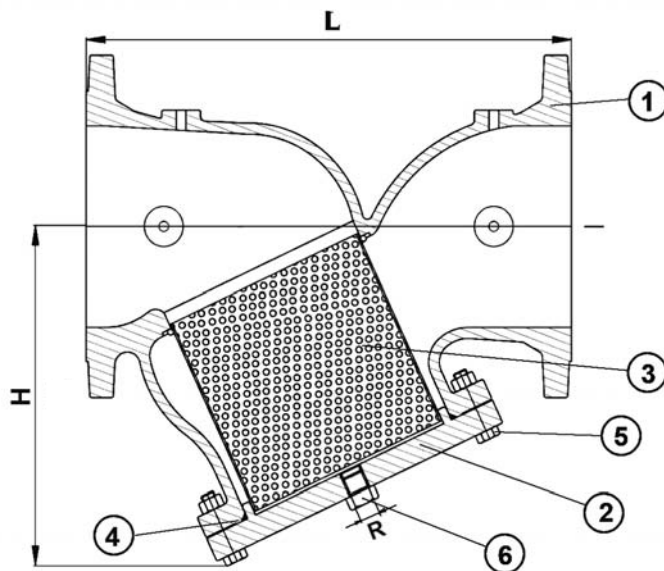
CONSTRUCTION

6	1	Drain plug	Bronze
5	4	Fasteners	Galvanized steel
4	1	Joint	EPDM
3	1	Mesh	Stainless steel
2	1	Cover	Ductile iron GGG40
1	1	Body	Ductile iron GGG40
Pos.	Q-ty	description	Material



DIMENSIONS

DN		L	H	R	Mesh (mm)	Weight (kg)
mm	inch					
40	1 1/2	205	123	3/4"	1.5	9
50	2"	217	125	3/4"	1.5	10
65	2 1/2	222	125	3/4"	3	12
80	3"	264	170	1 1/2"	3	20
100	4"	335	210	1 1/2"	3	34
125	5"	335	210	1 1/2"	5	36
150	6"	433	280	1 1/2"	5	58
200	8"	524	340	1 1/2"	5	95
250	10"	637	410	1 1/4"	5	153
300	12"	762	475	2"	5	266
350	14"	769	475	2"	5	288
400	16"	1025	630	2"	5	590
450	18"	1045	630	2"	5	735
500	20"	1140	630	3"	5	800
600	24"	-	954	3"	5	-



WORKING CONDITIONS

Maximum working pressure : 40 bar

STANDARDS

Test pressure according to EN 12266-1,
 DIN 3230, BS 5154 and ISO 5208 :
 Body : 60 bar.
 Flange connection according to EN1092-2 ISO PN40.

The photographs and technical art works are not contractual. The specifications of the presented products are open to modifications without previous advice