

Ref. : F 3242 pas

Rev. : B

Date : 06/02/2015

Page : 1/1

# FLANGED TYPE STRAINER PN10

## F 3242



**Tecofi'**  
VALVE DESIGNER - FRANCE

### APPLICATION

General use : for watering, water treatment and irrigation.

### GENERAL CHARACTERISTICS

From DN40 to DN300.  
Removable stainless steel filter  
Horizontal or vertical position with descendant fluid.  
The flow direction indicated by the arrow on the body.  
Mesh: 1 mm - from DN40 to DN50;  
1.25 mm - from DN65 to DN80;  
1.6 mm - from DN100 to DN300.  
Bolted bonnet with draining cap threaded BSP.

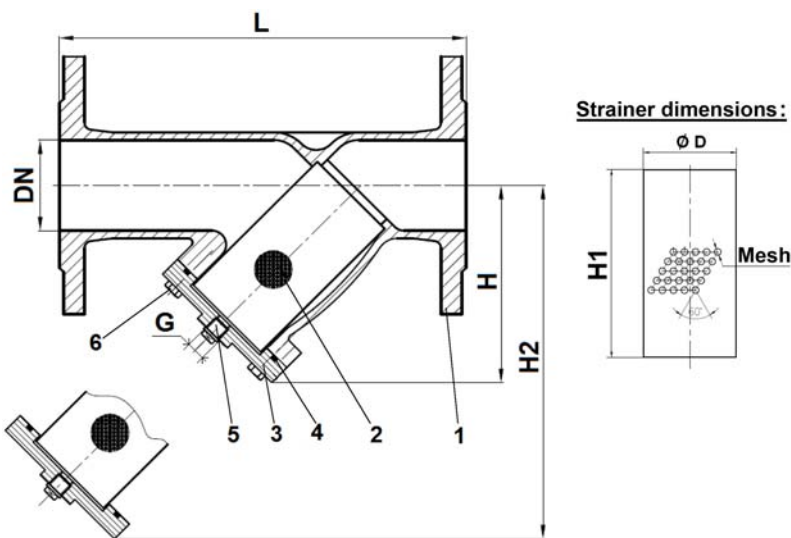


### CONSTRUCTION

6	Bolting	Stainless steel 304
5	Draining cap	Stainless steel 301
4	Bonnet gasket	EPDM
3	Bonnet	Cast iron EN-GJL-250
2	Filter	Stainless steel 316
1	Body	Cast iron EN-GJL-250
Pos.	Description	Material

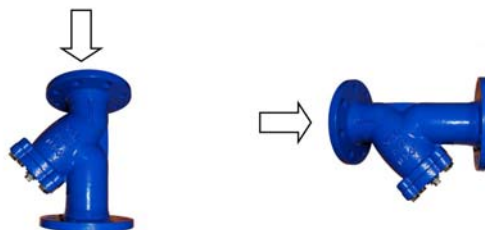
### DIMENSIONS

DN		L	H	H2	G (drain)	ØD	H1	Mesh	Weight (kg)
mm	inch								
40	1"1/2	200	110	175	1/2"	42	91,2	1,0	6,300
50	2"	230	117	192	1/2"	52	105,2	1,0	7,700
65	2"1/2	290	142	232	1/2"	67	127,2	1,3	11,400
80	3"	310	163	265	1/2"	82	140,7	1,3	14,200
100	4"	350	194	323	1/2"	102	180,2	1,6	18,500
125	5"	400	248	402	1/2"	127	215,7	1,6	28,500
150	6"	480	280	430	3/4"	160	234,2	1,6	39,200
200	8"	600	346	560	3/4"	206	296,5	1,6	61,200
250	10"	730	433	715	3/4"	252	393,5	1,6	115,6
300	12"	850	480	785	3/4"	302	426	1,6	155,5



Vertical position (ascendant fluid)

Horizontal position



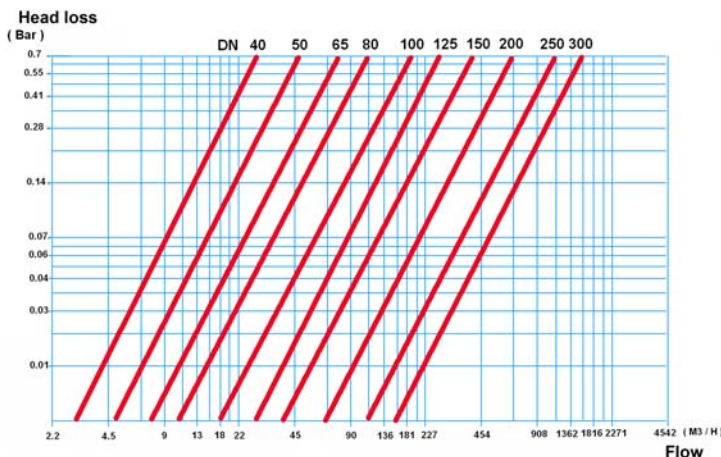
### WORKING CONDITIONS

Maximum working conditions : -10°C / +80°C

Maximum working pressure: 16 bar from DN40 to DN200;  
10 bar from DN250 to DN300.

### STANDARDS

Fabrication according to ISO 9001 : 2008.  
Tests according to EN 12266-1.  
Face to face according to EN 558-1 Series 1 ( DIN 3202 F1 – NF 29354 ).  
Flanges R.F. according to EN 1092-2 PN16 for DN40-150 and PN10 for DN200-300.  
Possibility PN16 for DN200-300 by request.



**TECOFI France** - 83, Rue Marcel Mérieux 69960 Corbas - FRANCE  
Tél. +33 (0) 4 72 79 05 79 - Fax +33 (0) 4 78 90 19 19 / +33 (0) 4 72 79 05 70  
Adresses e-mail : sales@tecofi.fr ; tecofi@tecofi.fr / Site web : www.tecofi.fr