

Ref. : F 2143W.pas

Rev. : C

Date : 25/03/2019

Page : 1/1

THREADED "Y" STRAINER

F 2143W



Tecofi 
VALVE DESIGNER - FRANCE

APPLICATION

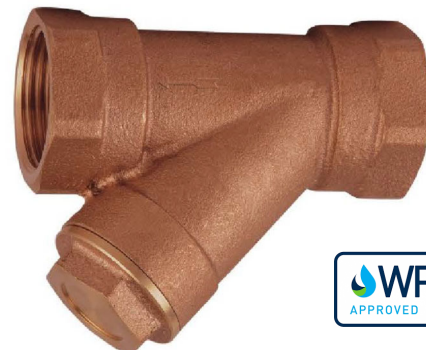
General use: water, oil.

GENERAL CHARACTERISTICS

Stainless steel removable screen.
Female / female threaded model.
Mounting in horizontal and vertical descending position.
The flow direction is indicated by an arrow on the body.

CONSTRUCTION

5	1	Nameplate	Aluminium
4	1	Bonnet	Bronze CC491K
3	1	O-ring	PTFE
2	1	Screen	Stainless steel 304
1	1	Body	Bronze CC491K
Pos.	Q-ty	Description	Material



DIMENSIONS

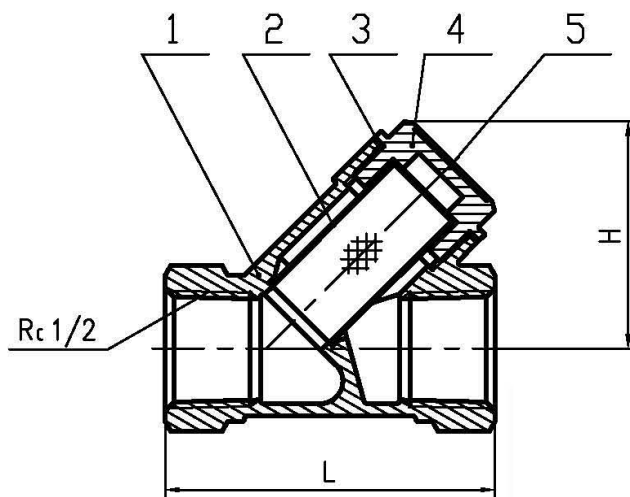
DN		L	H1	Weight (kg)
mm	inch			
15	1/2"	58	40	0,184
20	3/4"	70	51	0,296
25	1"	88	57,6	0,424
32	1"1/4	96	68,5	0,716
40	1"1/2	107	74	0,975
50	2"	126	95	1,493

WORKING CONDITIONS

Maximum working pressure : 20 bar (temperatures ≤ 120°C)
16 bar (temperatures > 120°C)
Maximum working temperature : -10°C / + 170°C.

STANDARDS

Female/female threaded ends according to BSPP.
Test procedures are established according to NF EN12266-1 : 2012.



Meshes of strainer				
DN	Hole diameter	Thickness	Free areas percentage (cm ²)	Meshes /cm ²
15	1/2"	0,9 mm	20%	34
20	3/4"			
25	1"			
32	1"1/4	1,5 mm	30%	17
40	1"1/2			
50	2"			