

Ref. : F 1144.pas

Rev. : A

Date : 09/01/2018

Page : 1/1

BRASS "Y" STRAINER

F 1144



APPLICATION

Water distribution and watering.

GENERAL CHARACTERISTICS

Removable stainless steel filter
 Female / female type
 Horizontal or vertical position
 (respect the flow direction indicated by the arrow)
 Mesh 8.5/10° mm (850 µ)

CONSTRUCTION

4	Bonnet	Brass	CW 317 N According to EN 12165
3	O ring	EPDM	
2	Screen	Stainless steel 304	
1	Body	Brass	CW 317 N According to EN 12165
Pos.	Description	Material	

DIMENSIONS

DN		D1	L	L1	H	W	D	H1	Weight (kg)
mm	inch								
10	3/8"	12	48	9	22	20	15	22	0,074
15	1/2"	15,6	58	11	23,5	25	19	25	0,135
20	3/4"	20	68	13	33,3	31	24	40	0,215
25	1"	26	75	14	38	38	28	41	0,335
32	1"1/4	32	90	16,5	42	47	34	46	0,475
40	1"1/2	42	108	18	49,5	54	43	54	0,770
50	2"	50	130	20	61	67	53	63	1,280
65	2"1/2	60	150	20	75,3	84	65	83	2,100

WORKING CONDITIONS

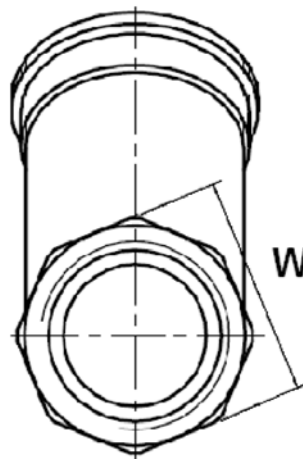
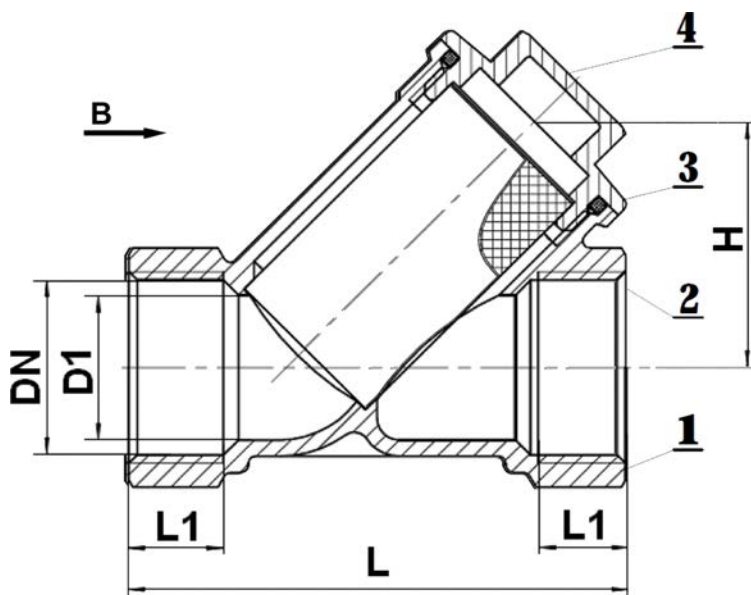
Maximum working pressure : 16 bar from DN3/8" to DN2"
 10 bar for DN2"1/2
 Maximum working temperature: -10°C / +120°C

STANDARDS

Fabrication according to ISO 9001: 2008
 Threaded BSP female cylindrical connection.



ACS



VUE B

Screen dimensions

