

Ref. : F 1142 pas

Rev. : D

Date : 31/12/2014

Page : 1/1

BSP threaded type "Y" strainer PN16

F 1142



Tecofi'
VALVE DESIGNER - FRANCE

APPLICATION

- General use : Filtering for all kind of fluids.

GENERAL CHARACTERISTICS

- From DN 1/2" to DN 2".
- Brass "Y" body, brass bonnet.
- Dismountable stainless steel strainer.
- PN16.

CONSTRUCTION

4	1	Gasket	PTFE	
3	1	Strainer	Stainless steel 304	
2	1	Bonnet	Brass	CW617N
1	1	Body	Brass	CW617N
Pos.	Q-ty	Description	Material	

DIMENSIONS

DN	A	B1	B2	G1	C	H	Weight (kg)	
15	1/2"	56,5	11	11	1/2"	45,5	39,5	0,16
20	3/4"	68	13,5	13,5	3/4"	52,5	46	0,22
25	1"	77	14	14	1"	69	60	0,33
32	1"1/4	94	15	15	1"1/4	77,5	68	0,51
40	1"1/2	105	18	18	1"1/2	84,5	74	0,76
50	2"	125	19,5	19,5	2"	108	95	1,35

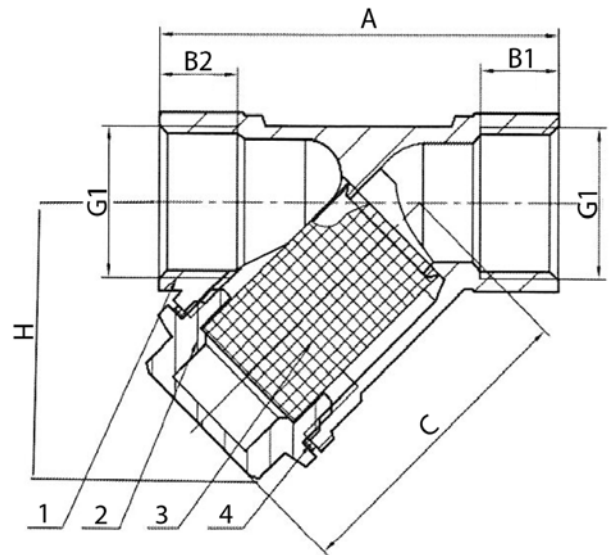
WORKING CONDITIONS

PS max : 16 bar
T max: -20°C / 100°C

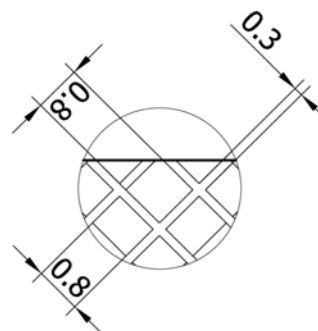
Test procedures are established according to standard
EN 12266-1, DIN 3230, BS 6755 and ISO 5208 :
- Body: 24 bar

STANDARDS

BSP threaded according to standard ISO 228-1.



Dimensions de la maille (mm)



The photographs and technical art works are not contractual. The specifications of the presented products are open to modifications without previous advice.